



BRAKE DISC

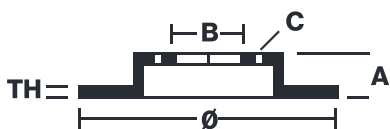
09.B754.10

The **09.B754.10** brake disc is synonymous with reliability

The Brembo brake disc is fully interchangeable with an Original Equipment brake disc. The control of the entire production cycle allows Brembo to offer brake discs with outstanding performance levels, reliability, durability and comfort in all conditions of use. All Brembo brake discs are accompanied by the ECE-R90 homologation.

- ✓ OE-equivalent
- ✓ Brembo quality
- ✓ ECE-R90 certificate
- ✓ Safety
- ✓ High carbon
- ✓ PVT ventilation

Technical specifications



EAN code
8020584219669

Axle
Front

Diameter Ø
316 mm

Thickness (TH)
22 mm

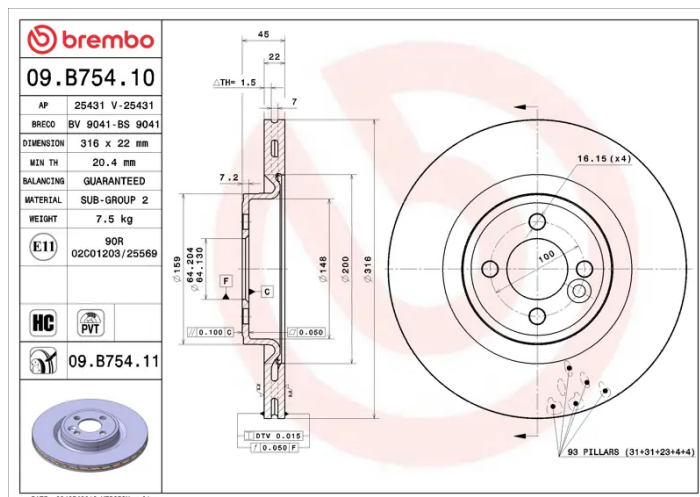
Height (A)
45 mm

Number of holes (C)
4

Brake disc type
Ventilated

Centering (B)
64 mm

Min. thickness
20,4 mm



COMPATIBLE VEHICLES

COMPATIBLE OE PART NUMBERS

34106784366	MINI
-------------	------

34116784366	MINI
-------------	------

34116855781	MINI
-------------	------
