



# BRAKE DISC PAINTED

## 09.D017.11

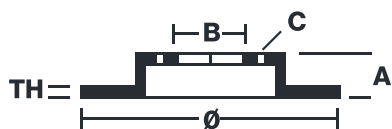
The 09.D017.11 painted brake disc is synonymous with reliability

The Brembo brake disc with special UV paint treatment guarantees superior corrosion resistance for the product, thanks to the protective coating on the outer edges and on the disc hub. The UV paint not only gives the disc a clean, shiny appearance but is also beneficial for the environment as the water-based UV paint treatment does not require the use of chemical solvents and is a low energy consumption process.

- ✓ OE-equivalent
- ✓ Brembo quality
- ✓ ECE-R90 certificate
- ✓ Safety
- ✓ Anti-corrosion
- ✓ PVT ventilation



### Technical specifications



EAN code  
8020584227350

Axle  
Front

Diameter  $\varnothing$   
280 mm

Thickness (TH)  
28 mm

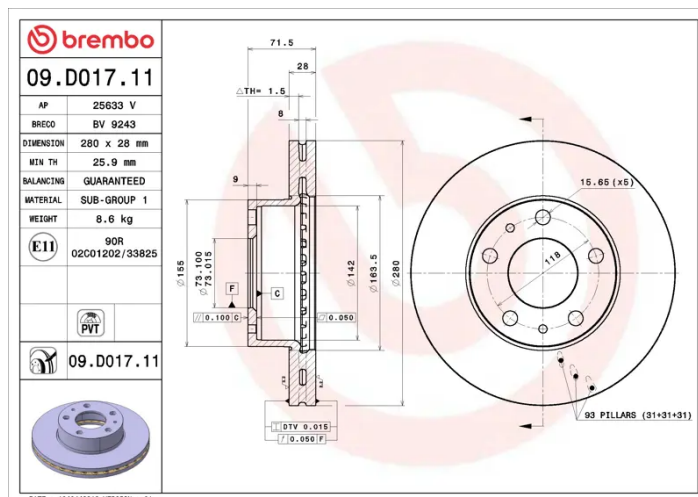
Height (A)  
72 mm

Number of holes (C)  
5

Brake disc type  
Ventilated

Centering (B)  
73 mm

Min. thickness  
25,9 mm



COMPATIBLE VEHICLES

## COMPATIBLE OE PART NUMBERS

1612435180	CITROËN
------------	---------

1612435280	CITROËN
------------	---------

51957507	FIAT
----------	------

51957508	FIAT
----------	------

1612435180	OPEL
------------	------

1612435280	OPEL
------------	------

1612435180	PEUGEOT
------------	---------

1612435280	PEUGEOT
------------	---------

1612435180	VAUXHALL
------------	----------

1612435280	VAUXHALL
------------	----------