



# BRAKE PAD NAO P06109N

The P06109N NAO brake pad is synonymous with reliability

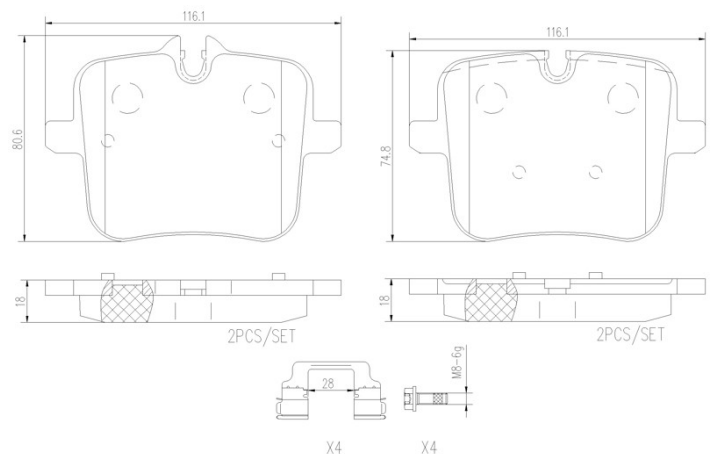
Brembo NAO brake pads stand out for their ultimate braking comfort, reduced friction wear and low dust mission, which makes for cleaner rims and reduced maintenance requirements. The advanced friction material in keeping with the strictest environmental standards is the main distinguishing feature of NAO compounds.

- ✓ OE-equivalent
- ✓ Brembo quality
- ✓ Safety
- ✓ Comfort
- ✓ Durability
- ✓ Dust reduction
- ✓ With accessories



## Technical specifications

EAN code <b>8020584117781</b>	Axle <b>Rear</b>	Thickness <b>18 mm</b>
Width <b>116 mm</b>	Height <b>75 mm</b>	Braking system <b>TRW</b>
Wear indicator <b>Prepared for wear indicator</b>	WVA number <b>22040,22039</b>	Accessories <b>With brake caliper bolts</b> <b>With accessories</b> <b>With anti-squeal shim</b>



COMPATIBLE VEHICLES

## COMPATIBLE OE PART NUMBERS

34207883269 BMW

---

34207883273 BMW

---

34208092823 BMW

---

34208093737 BMW

---

34216876905 BMW

---

34216885187 BMW

---

34216885362 BMW

---

34216893228 BMW

---

34217991043 BMW

---

3421799104302 BMW

---

34217991044 BMW

---

799104302 BMW

---