

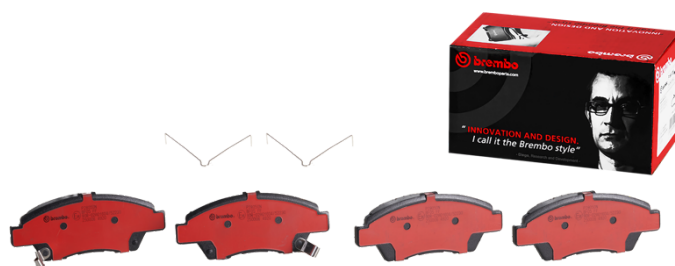


BRAKE PAD NAO P28050N

The P28050N NAO brake pad is synonymous with reliability

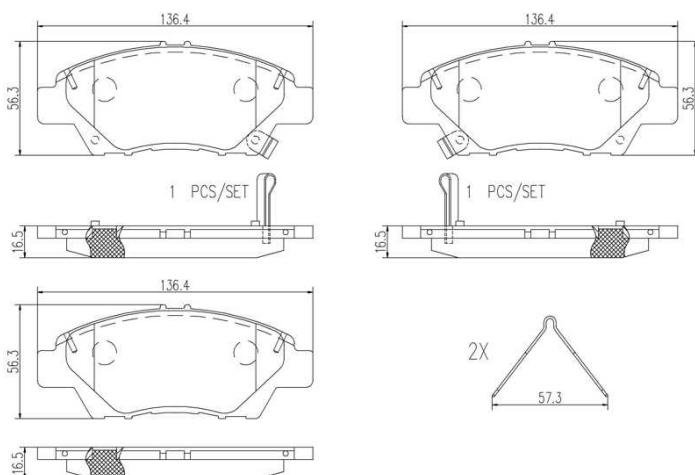
Brembo NAO brake pads stand out for their ultimate braking comfort, reduced friction wear and low dust mission, which makes for cleaner rims and reduced maintenance requirements. The advanced friction material in keeping with the strictest environmental standards is the main distinguishing feature of NAO compounds.

- ✓ OE-equivalent
- ✓ Brembo quality
- ✓ Safety
- ✓ Comfort
- ✓ Durability
- ✓ Dust reduction
- ✓ With accessories



Technical specifications

EAN code 8020584112342	Axle Front	Thickness 17 mm
Width 136 mm	Height 56 mm	Braking system Akebono
Wear indicator Acoustic	WVA number 24981,24979,24980	Accessories With accessories With anti-squeal shim



COMPATIBLE VEHICLES

COMPATIBLE OE PART NUMBERS

45022SNCE00	HONDA
45022SZTG00	HONDA
45022SZTG01	HONDA
45022SZTJ00	HONDA
45022SZYT00	HONDA
45022T00T00	HONDA
45022T5BJ00	HONDA
45022T5BJ01	HONDA
45022T5BJ10	HONDA
45022T5CJ00	HONDA
45022T5CJ01	HONDA
45022T5GH00	HONDA
45022T5RA01	HONDA
45022T5RA50	HONDA
45022T9AT00	HONDA
45022T9DD00	HONDA
45022TARG00	HONDA
45022TE7T00	HONDA
45022TE8T00	HONDA
45022TF0G00	HONDA
45022TF0G01	HONDA
45022TF0G02	HONDA
45022TF0Y00	HONDA
45022TF2J00	HONDA
45022TF2J01	HONDA
45022TK6A00	HONDA
45022TK6A01	HONDA
45022TM0T00	HONDA
45022TM4H00	HONDA
45022TM8G00	HONDA
45022TZAJ00	HONDA
45022TZBG00	HONDA
45022TZBG01	HONDA
45022TZRH00	HONDA
H4502TM8003	HONDA
45022T5GH00	HONDA (DONGFENG)
45022T5GH10	HONDA (DONGFENG)
45022T5GH00	HONDA (GAC)
45022T6PH00	HONDA (GAC)
45022TM4H00	HONDA (GAC)