



# BRAKE PAD PRIME CERAMIC P30065N

The P30065N NAO brake pad is synonymous with reliability

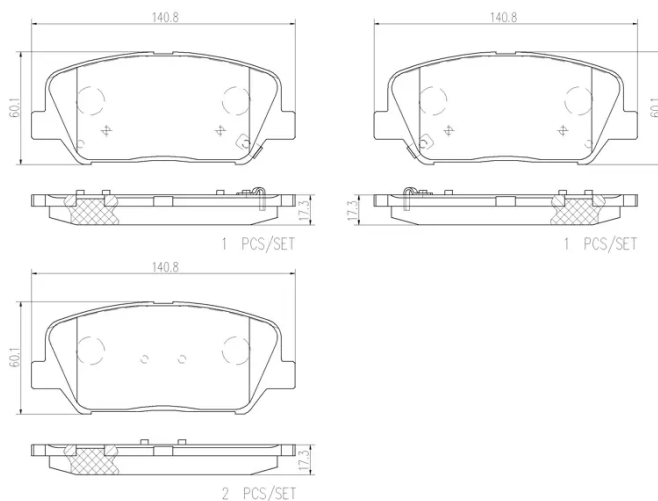
Brembo NAO brake pads stand out for their ultimate braking comfort, reduced friction wear and low dust mission, which makes for cleaner rims and reduced maintenance requirements. The advanced friction material in keeping with the strictest environmental standards is the main distinguishing feature of NAO compounds.

- ✓ OE-equivalent
- ✓ Brembo quality
- ✓ Safety
- ✓ Comfort
- ✓ Durability
- ✓ Dust reduction
- ✓ With accessories



## Technical specifications

EAN code <b>8020584082010</b>	Axle <b>Front</b>	Thickness <b>17 mm</b>
Width <b>141 mm</b>	Height <b>60 mm</b>	Braking system <b>Sumitomo</b>
Wear indicator <b>Acoustic</b>	WVA number <b>24915,24916,24917</b>	Accessories <b>With anti-squeal shim</b>



COMPATIBLE VEHICLES

## COMPATIBLE OE PART NUMBERS

581012MA00	HYUNDAI
------------	---------

581012TA20	HYUNDAI
------------	---------

581012VA20	HYUNDAI
------------	---------

581012VA25	HYUNDAI
------------	---------

581012VA70	HYUNDAI
------------	---------

58101A6A20	HYUNDAI
------------	---------

58101A6A75	HYUNDAI
------------	---------

581012TA20	KIA
------------	-----

581012TA21	KIA
------------	-----

581012TA61	KIA
------------	-----

581014CA10	KIA
------------	-----

58101A2A25	KIA
------------	-----

58101A6A20	KIA
------------	-----

58101A6A70	KIA
------------	-----

58101A7A20	KIA
------------	-----

SS8101A6A70	KIA
-------------	-----