



BRAKE PAD PRIME CERAMIC P30102N

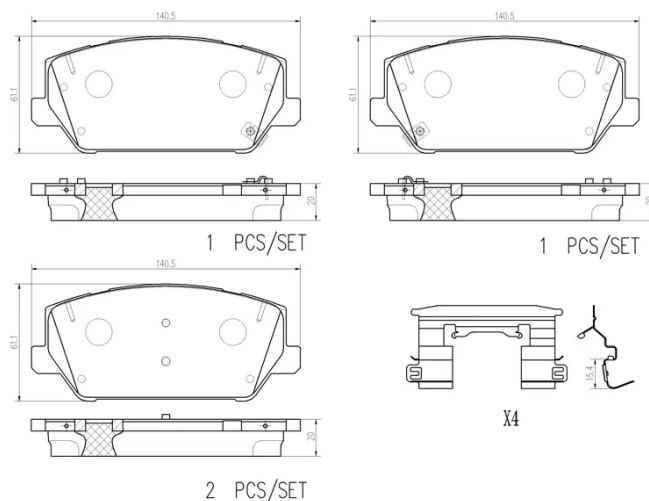
The P30102N NAO brake pad is synonymous with reliability

Brembo NAO brake pads stand out for their ultimate braking comfort, reduced friction wear and low dust mission, which makes for cleaner rims and reduced maintenance requirements. The advanced friction material in keeping with the strictest environmental standards is the main distinguishing feature of NAO compounds.

- ✓ OE-equivalent
- ✓ Brembo quality
- ✓ Safety
- ✓ Comfort
- ✓ Durability
- ✓ Dust reduction
- ✓ With accessories

Technical specifications

EAN code 8020584118801	Axle Front	Thickness 20 mm
Width 141 mm	Height 61 mm	Braking system Galfer
Wear indicator Acoustic	WVA number 22855,22856,22857	Accessories With accessories With anti-squeal shim



COMPATIBLE VEHICLES

COMPATIBLE OE PART NUMBERS

58101G8A30	HYUNDAI
------------	---------

58101I3A00	HYUNDAI
------------	---------

58101K9A10	HYUNDAI
------------	---------

58101S0A00	HYUNDAI
------------	---------

58101S0A10	HYUNDAI
------------	---------

58101S0A10SK1	HYUNDAI
---------------	---------

58101S0A20	HYUNDAI
------------	---------

58101S1A00	HYUNDAI
------------	---------

58101D4A80	KIA
------------	-----