



BRAKE PAD PRIME CERAMIC

P37005N

The P37005N NAO brake pad is synonymous with reliability

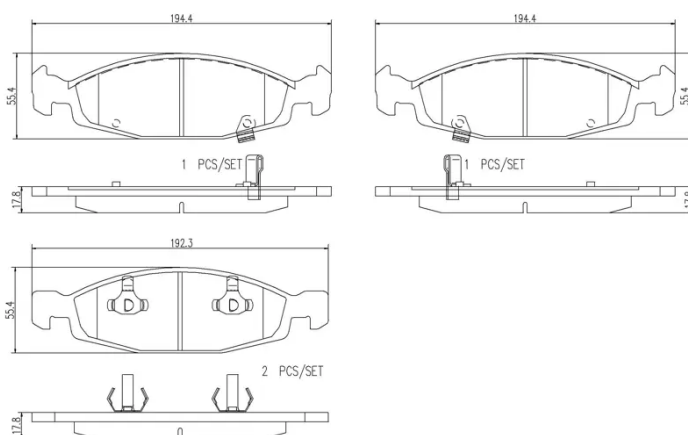
Brembo NAO brake pads stand out for their ultimate braking comfort, reduced friction wear and low dust mission, which makes for cleaner rims and reduced maintenance requirements. The advanced friction material in keeping with the strictest environmental standards is the main distinguishing feature of NAO compounds.

- ✓ OE-equivalent
- ✓ Brembo quality
- ✓ Safety
- ✓ Comfort
- ✓ Durability
- ✓ Dust reduction
- ✓ With accessories



Technical specifications

EAN code 8020584098189	Axle Front	Thickness 18 mm
Width 192 mm	Height 55 mm	Braking system Teves
Wear indicator Acoustic	WVA number 23631,23632,23633	Accessories With accessories With anti-squeal shim With piston clip



COMPATIBLE VEHICLES

COMPATIBLE OE PART NUMBERS

05018592AA	CHRYSLER
------------	----------

5018592AA	CHRYSLER
-----------	----------

5018592AB	CHRYSLER
-----------	----------

05011969AA	JEEP
------------	------

05018592AA	JEEP
------------	------

5011969AA	JEEP
-----------	------

K5011969AA	JEEP
------------	------

K5018592AB	JEEP
------------	------