



BRAKE PAD PRIME CERAMIC P50094N

The P50094N NAO brake pad is synonymous with reliability

Brembo NAO brake pads stand out for their ultimate braking comfort, reduced friction wear and low dust mission, which makes for cleaner rims and reduced maintenance requirements. The advanced friction material in keeping with the strictest environmental standards is the main distinguishing feature of NAO compounds.

- ✓ OE-equivalent
- ✓ Brembo quality
- ✓ Safety
- ✓ Comfort
- ✓ Durability
- ✓ Dust reduction
- ✓ With accessories



Technical specifications

EAN code
8020584088982

Axle
Front

Thickness
19 mm

Width
129 mm

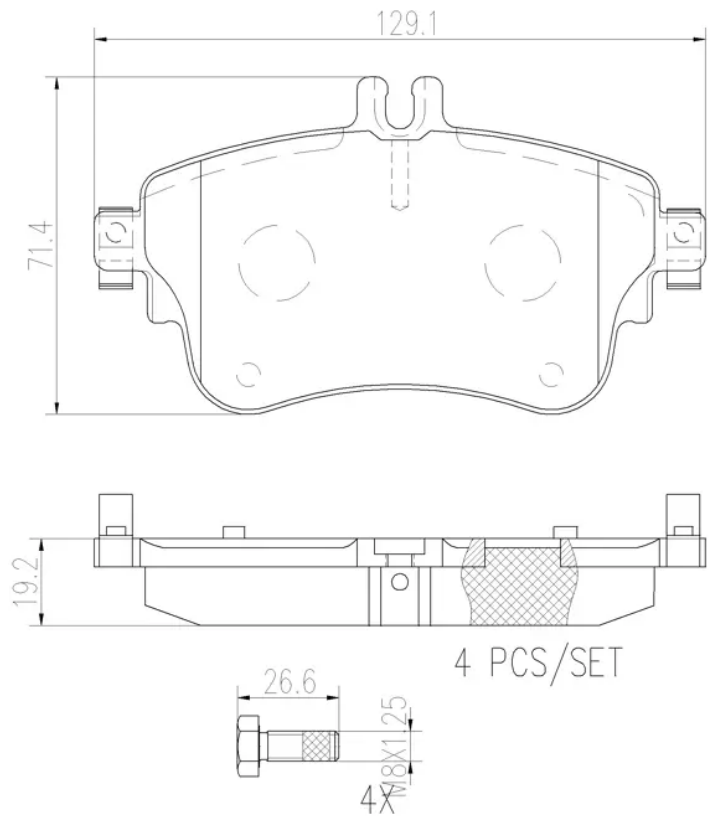
Height
71 mm

Braking system
TRW

Wear indicator
Prepared for wear indicator

WVA number
25326

Accessories
With brake caliper bolts
With accessories
With anti-squeal shim



COMPATIBLE VEHICLES

COMPATIBLE OE PART NUMBERS

0004201405	MERCEDES-BENZ
0004202902	MERCEDES-BENZ
0064204820	MERCEDES-BENZ
0084200420	MERCEDES-BENZ
A0004201405	MERCEDES-BENZ
A0004202902	MERCEDES-BENZ
A0064204820	MERCEDES-BENZ
A0084200420	MERCEDES-BENZ