



BRAKE PAD NAO P50100N

The P50100N NAO brake pad is synonymous with reliability

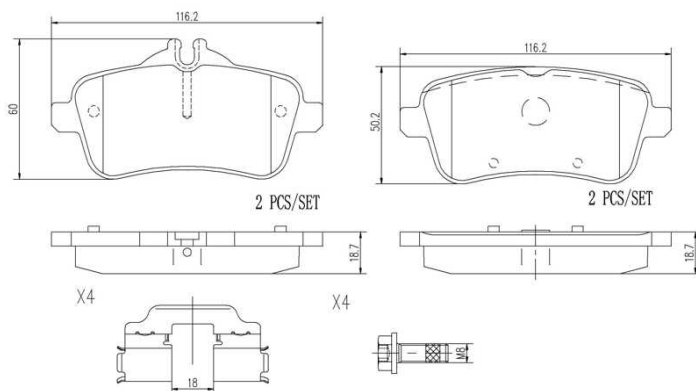
Brembo NAO brake pads stand out for their ultimate braking comfort, reduced friction wear and low dust mission, which makes for cleaner rims and reduced maintenance requirements. The advanced friction material in keeping with the strictest environmental standards is the main distinguishing feature of NAO compounds.

- ✓ OE-equivalent
- ✓ Brembo quality
- ✓ Safety
- ✓ Comfort
- ✓ Durability
- ✓ Dust reduction
- ✓ With accessories



Technical specifications

EAN code 8020584089002	Axle Rear	Thickness 19 mm
Width 116 mm	Height 50 mm	Braking system TRW
Wear indicator Prepared for wear indicator	WVA number 25215,25216	Accessories With accessories With anti-squeal shim With brake caliper bolts



COMPATIBLE VEHICLES

COMPATIBLE OE PART NUMBERS

0004208104 MERCEDES-BENZ

0064204020 MERCEDES-BENZ

0064204120 MERCEDES-BENZ

0074208220 MERCEDES-BENZ

0074208320 MERCEDES-BENZ

A0004208104 MERCEDES-BENZ

A0064204020 MERCEDES-BENZ

A0064204120 MERCEDES-BENZ

A0074208220 MERCEDES-BENZ

A0074208320 MERCEDES-BENZ

8660004594 RENAULT
