



# BRAKE PAD PRIME CERAMIC P61089N

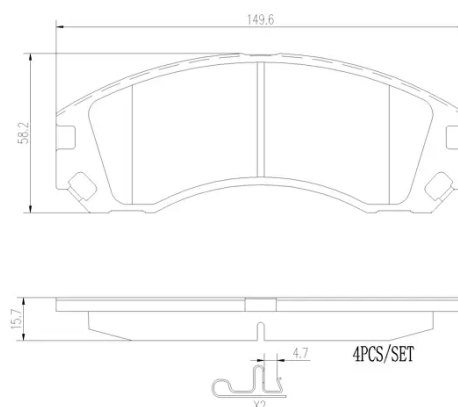
The P61089N NAO brake pad is  
synonymous with reliability

Brembo NAO brake pads stand out for their ultimate braking comfort, reduced friction wear and low dust mission, which makes for cleaner rims and reduced maintenance requirements. The advanced friction material in keeping with the strictest environmental standards is the main distinguishing feature of NAO compounds.

- ✓ OE-equivalent
- ✓ Brembo quality
- ✓ Safety
- ✓ Comfort
- ✓ Durability
- ✓ Dust reduction
- ✓ With accessories

## Technical specifications

EAN code <b>8020584114124</b>	Axle <b>Front</b>	Thickness <b>16 mm</b>
Width <b>150 mm</b>	Height <b>58 mm</b>	Braking system <b>Akebono</b>
Wear indicator <b>Acoustic</b>	WVA number <b>21370</b>	Accessories <b>With anti-squeal shim</b>



COMPATIBLE VEHICLES

## COMPATIBLE OE PART NUMBERS

425387	CITROËN
425388	CITROËN
425430	CITROËN
MN116923	MITSUBISHI
MR569597	MITSUBISHI
MZ690019	MITSUBISHI
1620368480	PEUGEOT
425387	PEUGEOT
425430	PEUGEOT