



# BRAKE PAD NAO P65008N

The P65008N NAO brake pad is synonymous with reliability

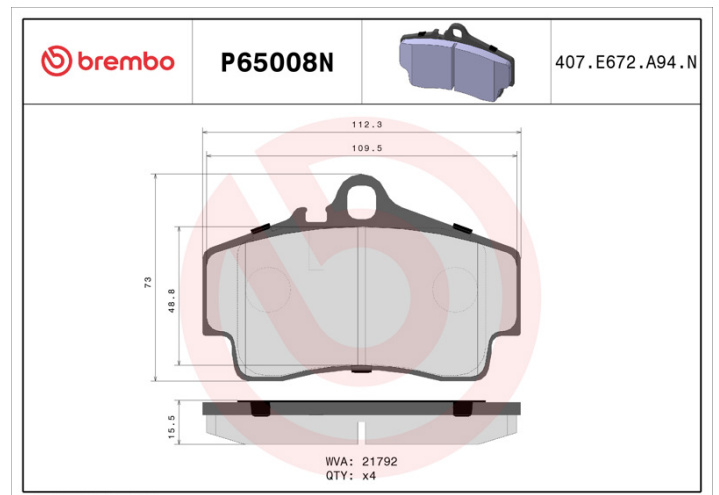
Brembo NAO brake pads stand out for their ultimate braking comfort, reduced friction wear and low dust mission, which makes for cleaner rims and reduced maintenance requirements. The advanced friction material in keeping with the strictest environmental standards is the main distinguishing feature of NAO compounds.

- ✓ OE-equivalent
- ✓ Brembo quality
- ✓ Safety
- ✓ Comfort
- ✓ Durability
- ✓ Dust reduction
- ✓ With accessories



## Technical specifications

EAN code <b>8020584099339</b>	Axle <b>Rear</b>	Thickness <b>16 mm</b>
Width <b>112 mm</b>	Height <b>73 mm</b>	Braking system <b>Brembo</b>
Wear indicator <b>Prepared for wear indicator</b>	WVA number <b>21792</b>	Accessories <b>With anti-squeal shim</b>



COMPATIBLE VEHICLES

## COMPATIBLE OE PART NUMBERS

98635293910          PORSCHE

---

98635293911          PORSCHE

---

98735293900          PORSCHE

---

99635293000          PORSCHE

---

99635293003          PORSCHE

---

99635293900          PORSCHE

---

99635293902          PORSCHE

---

99635293903          PORSCHE

---

99635298000          PORSCHE

---