



BRAKE PAD PRIME CERAMIC P65041N

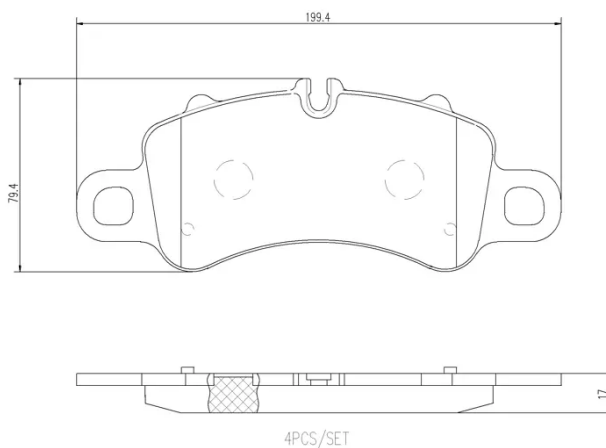
The P65041N NAO brake pad is synonymous with reliability

Brembo NAO brake pads stand out for their ultimate braking comfort, reduced friction wear and low dust mission, which makes for cleaner rims and reduced maintenance requirements. The advanced friction material in keeping with the strictest environmental standards is the main distinguishing feature of NAO compounds.

- ✓ OE-equivalent
- ✓ Brembo quality
- ✓ Safety
- ✓ Comfort
- ✓ Durability
- ✓ Dust reduction
- ✓ With accessories

Technical specifications

EAN code	Axle	Thickness
8020584119754	Front	17 mm
Width	Height	
200 mm	79 mm	
Wear indicator	WVA number	Accessories
Prepared for wear indicator	25983	With anti-squeal shim



COMPATIBLE VEHICLES

COMPATIBLE OE PART NUMBERS

992698075F	PORSCHE
------------	---------

992698151G	PORSCHE
------------	---------

9P1698151	PORSCHE
-----------	---------

9P1698151A	PORSCHE
------------	---------

9P1698151B	PORSCHE
------------	---------

9P1698151C	PORSCHE
------------	---------