



BRAKE PAD PRIME CERAMIC P68033N

The P68033N NAO brake pad is synonymous with reliability

Brembo NAO brake pads stand out for their ultimate braking comfort, reduced friction wear and low dust mission, which makes for cleaner rims and reduced maintenance requirements. The advanced friction material in keeping with the strictest environmental standards is the main distinguishing feature of NAO compounds.

- ✓ OE-equivalent
- ✓ Brembo quality
- ✓ Safety
- ✓ Comfort
- ✓ Durability
- ✓ Dust reduction
- ✓ With accessories



Technical specifications

EAN code
8020584089651

Axle
Front

Thickness
17 mm

Width
117 mm

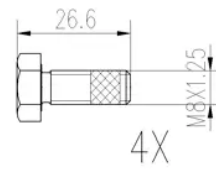
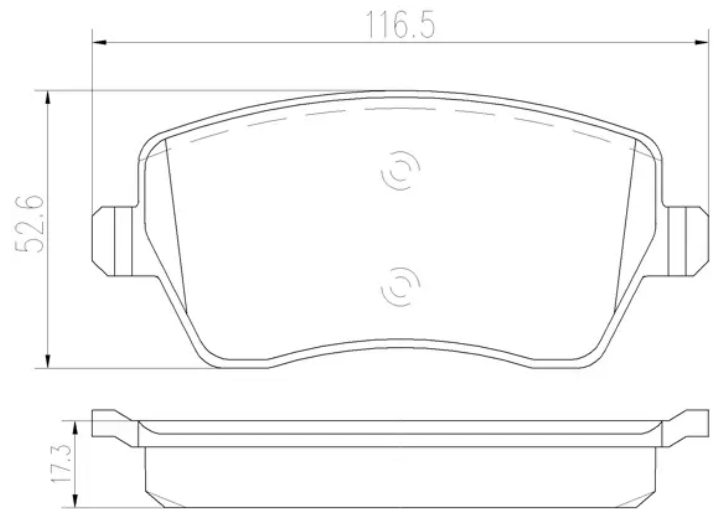
Height
53 mm

Braking system
Lucas

Wear indicator
Without

WVA number
23973

Accessories
With accessories
With anti-squeal
shim
With brake caliper
bolts



4 PCS/SET

COMPATIBLE VEHICLES

COMPATIBLE OE PART NUMBERS

410601817R DACIA

410604775R DACIA

410608481R DACIA

7701209164 DACIA

8660004726 DACIA

8671016692 DACIA

8450108101 LADA

4154210510 MERCEDES-BENZ

A4154210510 MERCEDES-BENZ

410600Q0K NISSAN

41060AX601 NISSAN

41060AX625 NISSAN

41060AZ625 NISSAN

D1060AX60A NISSAN

D1060AX61A NISSAN

D1060AX61F NISSAN

D1060BH40A NISSAN

410601817R RENAULT

410604076R RENAULT

410608481R RENAULT

7701208422 RENAULT

7701209164 RENAULT

8660004726 RENAULT

8671016692 RENAULT
