



BRAKE PAD PRIME CERAMIC P79029N

The P79029N NAO brake pad is synonymous with reliability

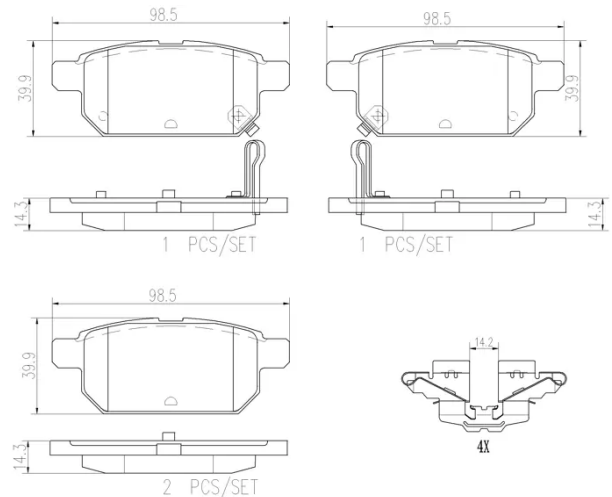
Brembo NAO brake pads stand out for their ultimate braking comfort, reduced friction wear and low dust mission, which makes for cleaner rims and reduced maintenance requirements. The advanced friction material in keeping with the strictest environmental standards is the main distinguishing feature of NAO compounds.

- ✓ OE-equivalent
- ✓ Brembo quality
- ✓ Safety
- ✓ Comfort
- ✓ Durability
- ✓ Dust reduction
- ✓ With accessories



Technical specifications

EAN code 8020584085714	Axle Rear	Thickness 14 mm
Width 99 mm	Height 40 mm	Braking system Akebono
Wear indicator Acoustic	WVA number 25258,25259,25260	Accessories With anti-squeal shim



COMPATIBLE OE PART NUMBERS

D4M603AW0A	NISSAN
5580052R00	SUZUKI
5580052R00000	SUZUKI
5580052R01	SUZUKI
5580052R01000	SUZUKI
5580061M00	SUZUKI
5580061M00000	SUZUKI
5580061M01	SUZUKI
5580061M01000	SUZUKI
5580061M02	SUZUKI
5580061M02000	SUZUKI
5580061M10	SUZUKI
5580061M11	SUZUKI
5580068L00	SUZUKI
5580068L00000	SUZUKI
5580068L10	SUZUKI
5580068L10000	SUZUKI
5580068L20	SUZUKI
5580068L20000	SUZUKI
5580068L21	SUZUKI
5580068L21000	SUZUKI
5580068R00	SUZUKI
5580068R00000	SUZUKI
5580068R10	SUZUKI
5580068R10000	SUZUKI
5580068R11	SUZUKI
5580068R12	SUZUKI
55910M68P00	SUZUKI
55910M68P01	SUZUKI