



BRAKE PAD PRIME CERAMIC P83098N

The P83098N NAO brake pad is synonymous with reliability

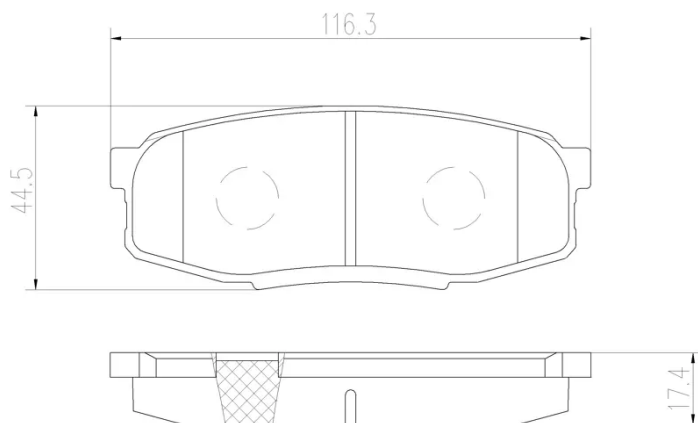
Brembo NAO brake pads stand out for their ultimate braking comfort, reduced friction wear and low dust mission, which makes for cleaner rims and reduced maintenance requirements. The advanced friction material in keeping with the strictest environmental standards is the main distinguishing feature of NAO compounds.

- ✓ OE-equivalent
- ✓ Brembo quality
- ✓ Safety
- ✓ Comfort
- ✓ Durability
- ✓ Dust reduction
- ✓ With accessories



Technical specifications

EAN code 8020584112267	Axle Rear	Thickness 17 mm
Width 116 mm	Height 45 mm	Braking system Advics
Wear indicator Without	WVA number 24653	Accessories With accessories With anti-squeal shim With piston clip



4 PCS/SET

COMPATIBLE VEHICLES

COMPATIBLE OE PART NUMBERS

0446660160	LEXUS
0446660161	LEXUS
044666016179	LEXUS
0446602340	TOYOTA
044660C010	TOYOTA
0446660120	TOYOTA
0446660160	TOYOTA
0446660161	TOYOTA
04466YZZE9	TOYOTA
0446660160	TOYOTA (FAW)