

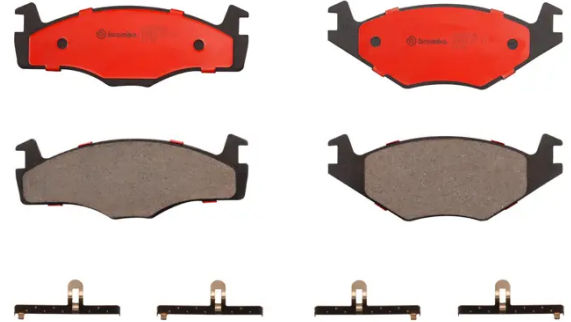


BRAKE PAD PRIME CERAMIC P85005N

The P85005N NAO brake pad is synonymous with reliability

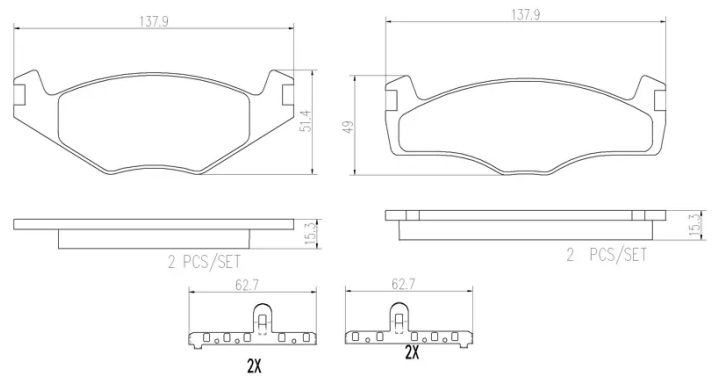
Brembo NAO brake pads stand out for their ultimate braking comfort, reduced friction wear and low dust mission, which makes for cleaner rims and reduced maintenance requirements. The advanced friction material in keeping with the strictest environmental standards is the main distinguishing feature of NAO compounds.

- ✓ OE-equivalent
- ✓ Brembo quality
- ✓ Safety
- ✓ Comfort
- ✓ Durability
- ✓ Dust reduction
- ✓ With accessories



Technical specifications

EAN code 8020584099971	Axle Front	Thickness 15 mm
Width 138 mm	Height 49 mm	Braking system Kelsey Hayes
Wear indicator Without	WVA number 20887,20888	Accessories With anti-squeal shim



COMPATIBLE VEHICLES

COMPATIBLE OE PART NUMBERS

171698151G	AUDI
------------	------

191698151B	AUDI
------------	------

191698151G	AUDI
------------	------

191698151L	AUDI
------------	------

321698151B	AUDI
------------	------

321698151D	AUDI
------------	------

321698151E	AUDI
------------	------

321698151H	AUDI
------------	------

171698151G	SEAT
------------	------

191698151B	SEAT
------------	------

191698151G	SEAT
------------	------

191698151L	SEAT
------------	------

321698151B	SEAT
------------	------

321698151D	SEAT
------------	------

321698151E	SEAT
------------	------

321698151H	SEAT
------------	------

171698151G	SKODA
------------	-------

191698151B	SKODA
------------	-------

191698151G	SKODA
------------	-------

191698151L	SKODA
------------	-------

321698151B	SKODA
------------	-------

321698151D	SKODA
------------	-------

321698151E	SKODA
------------	-------

321698151H	SKODA
------------	-------

171698151G	VW
------------	----

191698151B	VW
------------	----

191698151G	VW
------------	----

191698151L	VW
------------	----

1H5698151	VW
-----------	----

1H5698151A	VW
------------	----

321698151B	VW
------------	----

321698151D	VW
------------	----

321698151E	VW
------------	----

321698151H	VW
------------	----