



# BRAKE PAD PRIME CERAMIC P85084N

The P85084N NAO brake pad is synonymous with reliability

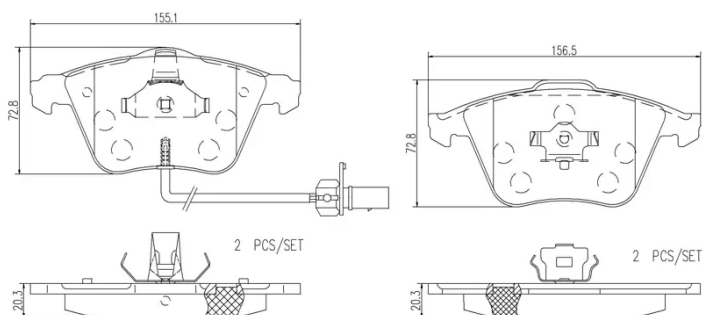
Brembo NAO brake pads stand out for their ultimate braking comfort, reduced friction wear and low dust mission, which makes for cleaner rims and reduced maintenance requirements. The advanced friction material in keeping with the strictest environmental standards is the main distinguishing feature of NAO compounds.

- ✓ OE-equivalent
- ✓ Brembo quality
- ✓ Safety
- ✓ Comfort
- ✓ Durability
- ✓ Dust reduction
- ✓ With accessories



## Technical specifications

EAN code <b>8020584100134</b>	Axle <b>Front</b>	Thickness <b>20 mm</b>
Width <b>155 mm</b>	Height <b>73 mm</b>	Braking system <b>Teves</b>
Wear indicator <b>Electric</b>	WVA number <b>23763,23801</b>	Accessories <b>With accessories</b> <b>With anti-squeal shim</b> <b>With piston clip</b>



COMPATIBLE VEHICLES

## COMPATIBLE OE PART NUMBERS

4E0698151F	AUDI
------------	------

4E0698151M	AUDI
------------	------

4E0698151S	AUDI
------------	------

4F0698151A	AUDI
------------	------

8E0698151G	AUDI
------------	------

8E0698151L	AUDI
------------	------

4E0698151F	SEAT
------------	------

4E0698151M	SEAT
------------	------

4F0698151A	SEAT
------------	------

8E0698151G	SEAT
------------	------

8E0698151L	SEAT
------------	------

4E0698151F	SKODA
------------	-------

4E0698151M	SKODA
------------	-------

4F0698151A	SKODA
------------	-------

8E0698151G	SKODA
------------	-------

8E0698151L	SKODA
------------	-------

4E0698151F	VW
------------	----

4E0698151M	VW
------------	----

4F0698151A	VW
------------	----

8E0698151AA	VW
-------------	----

8E0698151G	VW
------------	----

8E0698151L	VW
------------	----