



BRAKE PAD

P 23 044

The P 23 044 brake pad is synonymous with reliability

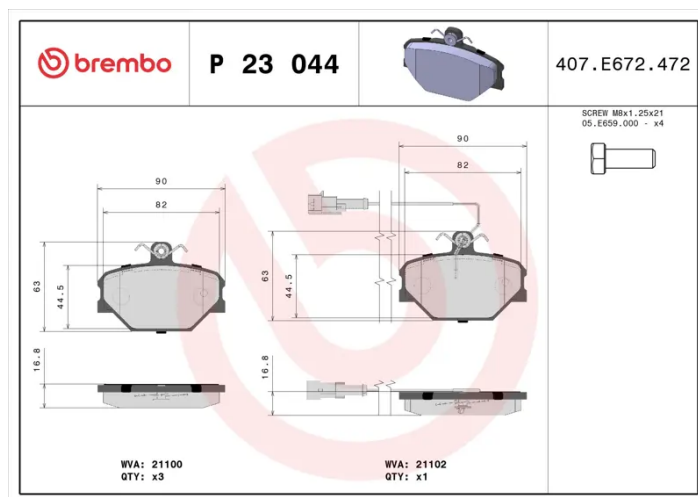
The Brembo brake pad guarantees ultimate safety when braking thanks to the use of more than 100 different compounds, designed according to the type of vehicle and use. Stopping distances reduced to a minimum, maximum driving comfort and silent operation are the most important features of Brembo materials. Brembo brake pads are supplied together with an extensive range of accessories and assembly kits for professional-standard installation.

- ✓ OE-equivalent
- ✓ Brembo quality
- ✓ ECE-R90 certificate
- ✓ Safety
- ✓ Performance
- ✓ Comfort
- ✓ With accessories



Technical specifications

EAN code 8020584051146	Axle Front	Thickness 17 mm
Width 90 mm	Height 63 mm	Braking system Lucas
Wear indicator Electric	WVA number 21100,21105	Accessories With anti-squeal shim With brake caliper bolts With accessories



COMPATIBLE VEHICLES

COMPATIBLE OE PART NUMBERS

5888781	FIAT
---------	------

5892330	FIAT
---------	------

71770951	FIAT
----------	------

793120	FIAT
--------	------

794079	FIAT
--------	------

794870	FIAT
--------	------

9943830	FIAT
---------	------
