



BRAKE PAD

P 23 109

The P 23 109 brake pad is synonymous with reliability

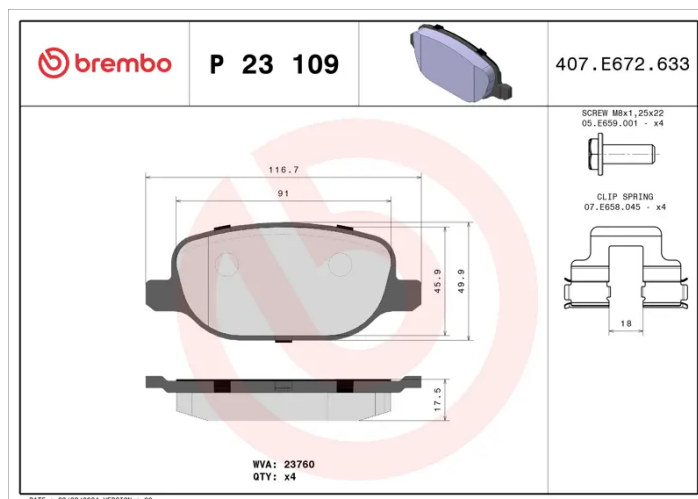
The Brembo brake pad guarantees ultimate safety when braking thanks to the use of more than 100 different compounds, designed according to the type of vehicle and use. Stopping distances reduced to a minimum, maximum driving comfort and silent operation are the most important features of Brembo materials. Brembo brake pads are supplied together with an extensive range of accessories and assembly kits for professional-standard installation.

- ✓ OE-equivalent
- ✓ Brembo quality
- ✓ ECE-R90 certificate
- ✓ Safety
- ✓ Performance
- ✓ Comfort
- ✓ With accessories



Technical specifications

EAN code 8020584059814	Axle Rear	Thickness 18 mm
Width 117 mm	Height 50 mm	Braking system Lucas
Wear indicator Without	WVA number 23760	Accessories With accessories With anti-squeal shim With brake caliper bolts



COMPATIBLE VEHICLES

COMPATIBLE OE PART NUMBERS

6001073135	ALFA ROMEO
------------	------------

77363579	ALFA ROMEO
----------	------------

77363818	ALFA ROMEO
----------	------------

71773138	FIAT
----------	------

77365560	LANCIA
----------	--------

9949203	LANCIA
---------	--------