



BRAKE PAD

P 23 115

The P 23 115 brake pad is synonymous with reliability

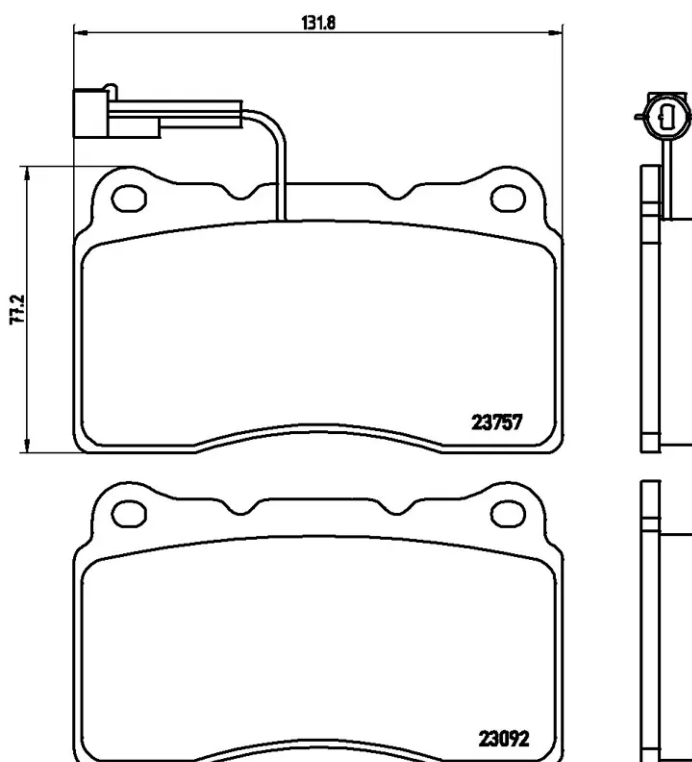
The Brembo brake pad guarantees ultimate safety when braking thanks to the use of more than 100 different compounds, designed according to the type of vehicle and use. Stopping distances reduced to a minimum, maximum driving comfort and silent operation are the most important features of Brembo materials. Brembo brake pads are supplied together with an extensive range of accessories and assembly kits for professional-standard installation.

- ✓ OE-equivalent
- ✓ Brembo quality
- ✓ ECE-R90 certificate
- ✓ Safety
- ✓ Performance
- ✓ Comfort



Technical specifications

EAN code	Axle	Thickness
8020584060285	Front	16 mm
Width	Height	Braking system
132 mm	77 mm	Brembo
Wear indicator	WVA number	Accessories
Electric	23092,23757	With anti-squeal shim





COMPATIBLE OE PART NUMBERS

71765647	ALFA ROMEO
----------	------------

77364516	ALFA ROMEO
----------	------------

77365266	LANCIA
----------	--------

980156041	MASERATI
-----------	----------

980156147	MASERATI
-----------	----------

980157007	MASERATI
-----------	----------