



# BRAKE PAD

## P 30 063

The P 30 063 brake pad is synonymous with reliability

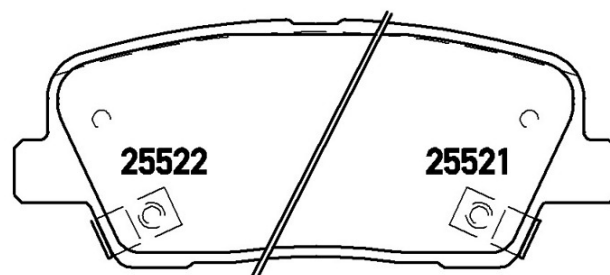
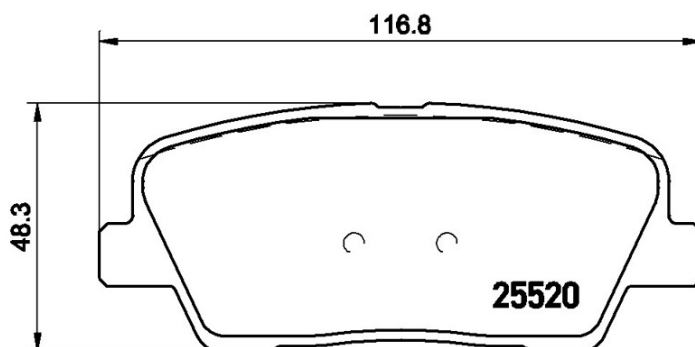
The Brembo brake pad guarantees ultimate safety when braking thanks to the use of more than 100 different compounds, designed according to the type of vehicle and use. Stopping distances reduced to a minimum, maximum driving comfort and silent operation are the most important features of Brembo materials. Brembo brake pads are supplied together with an extensive range of accessories and assembly kits for professional-standard installation.



- ✓ OE-equivalent
- ✓ Brembo quality
- ✓ ECE-R90 certificate
- ✓ Safety
- ✓ Performance
- ✓ Comfort
- ✓ With accessories

### Technical specifications

EAN code	Axle	Thickness
<b>8020584104767</b>	<b>Rear</b>	<b>16 mm</b>
Width	Height	Braking system
<b>117 mm</b>	<b>48 mm</b>	<b>Mando</b>
Wear indicator	WVA number	Accessories
<b>Acoustic</b>	<b>25521,25520,25522</b>	<b>With accessories</b>



## COMPATIBLE OE PART NUMBERS

583020WA00	HYUNDAI
583022BA50	HYUNDAI
583022MA00	HYUNDAI
583022PA70	HYUNDAI
583022WA00	HYUNDAI
583022WA01	HYUNDAI
583022WA30	HYUNDAI
583022WA70	HYUNDAI
583023MA00	HYUNDAI
583023MA01	HYUNDAI
583023NA00	HYUNDAI
583023NA91	HYUNDAI
583024DU02	HYUNDAI
58302A1A00	HYUNDAI
58302B1A43	HYUNDAI
583022PA70	HYUNDAI
58302A1A00	HYUNDAI (BEIJING)
583020WA00	KIA
583021UA50	KIA
583022JA00	KIA
583022JA10	KIA
583022PA70	KIA
583022WA01	KIA
583023NA00	KIA
58302J5A05	KIA
58302C0A00	KIA (DYK)
48413380B0	SSANGYONG