



BRAKE PAD

P 30 155

The P 30 155 brake pad is synonymous with reliability

The Brembo brake pad guarantees ultimate safety when braking thanks to the use of more than 100 different compounds, designed according to the type of vehicle and use. Stopping distances reduced to a minimum, maximum driving comfort and silent operation are the most important features of Brembo materials. Brembo brake pads are supplied together with an extensive range of accessories and assembly kits for professional-standard installation.

- ✓ OE-equivalent
- ✓ Brembo quality
- ✓ ECE-R90 certificate
- ✓ Safety
- ✓ Performance
- ✓ Comfort

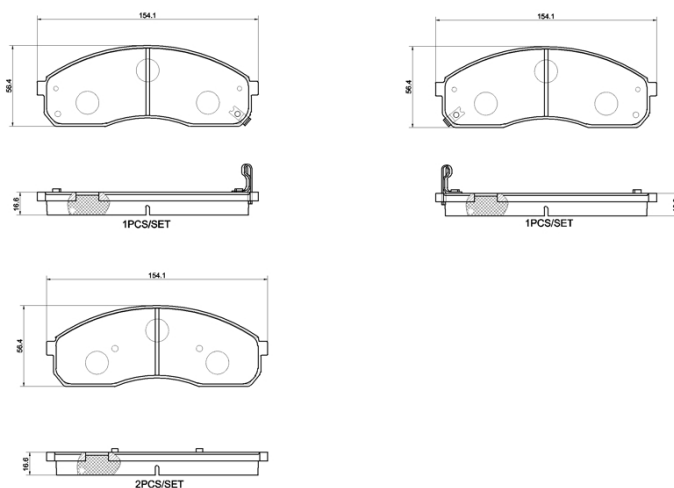


Technical specifications

EAN code Axle Thickness
8020584126059 **Front** **17 mm**

Width Height
154 mm **56 mm**

Wear indicator
Acoustic



COMPATIBLE VEHICLES

COMPATIBLE OE PART NUMBERS

581014EB20	KIA
581014FA00	KIA