



BRAKE PAD

P 69 002

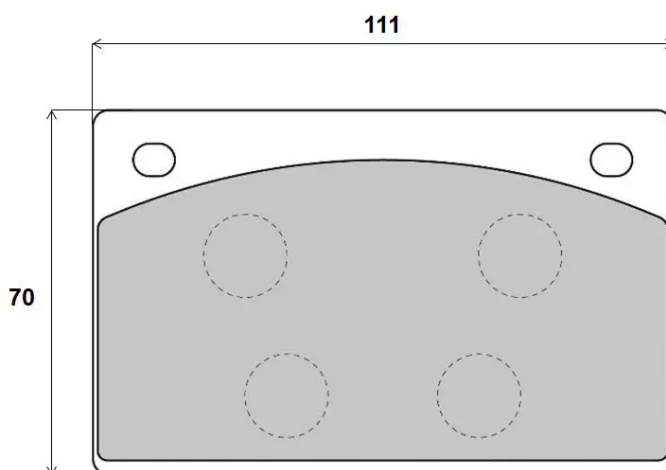
The P 69 002 brake pad is synonymous with reliability

The Brembo brake pad guarantees ultimate safety when braking thanks to the use of more than 100 different compounds, designed according to the type of vehicle and use. Stopping distances reduced to a minimum, maximum driving comfort and silent operation are the most important features of Brembo materials. Brembo brake pads are supplied together with an extensive range of accessories and assembly kits for professional-standard installation.

- ✓ OE-equivalent
- ✓ Brembo quality
- ✓ ECE-R90 certificate
- ✓ Safety
- ✓ Performance
- ✓ Comfort

Technical specifications

EAN code	Axle	Thickness
8020584057025	Rear	16 mm
Width	Height	Braking system
111 mm	70 mm	AP Lockheed
Wear indicator	Accessories	
Without	With anti-squeal shim	



COMPATIBLE VEHICLES

COMPATIBLE OE PART NUMBERS