



BRAKE PAD

P 83 164

The P 83 164 brake pad is synonymous with reliability

The Brembo brake pad guarantees ultimate safety when braking thanks to the use of more than 100 different compounds, designed according to the type of vehicle and use. Stopping distances reduced to a minimum, maximum driving comfort and silent operation are the most important features of Brembo materials. Brembo brake pads are supplied together with an extensive range of accessories and assembly kits for professional-standard installation.

- ✓ OE-equivalent
- ✓ Brembo quality
- ✓ ECE-R90 certificate
- ✓ Safety
- ✓ Performance
- ✓ Comfort



Technical specifications

EAN code
8020584084694

Thickness
18 mm

Width
110 mm

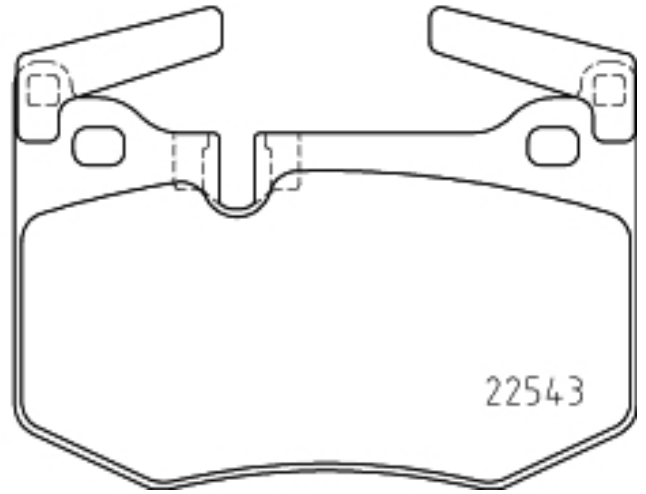
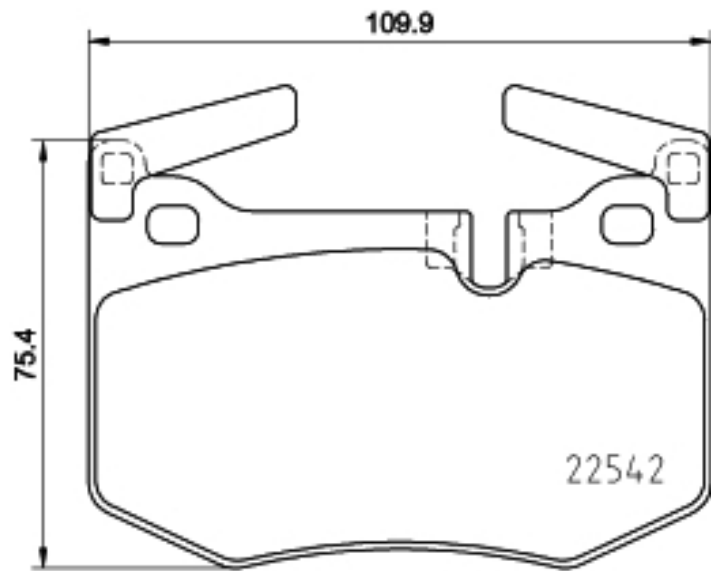
Height
76 mm

Braking system
Sumitomo

Wear indicator
Electric

WVA number
22542,22543

Accessories
With counterweights



COMPATIBLE OE PART NUMBERS

| | |
|------------|-------|
| 044660W070 | LEXUS |
| 044660W080 | LEXUS |
| 044660W090 | LEXUS |
| 044660W091 | LEXUS |
| 044660W100 | LEXUS |