



# BRAKE PAD

## P 11 018

The P 11 018 brake pad is synonymous with reliability

The Brembo brake pad guarantees ultimate safety when braking thanks to the use of more than 100 different compounds, designed according to the type of vehicle and use. Stopping distances reduced to a minimum, maximum driving comfort and silent operation are the most important features of Brembo materials. Brembo brake pads are supplied together with an extensive range of accessories and assembly kits for professional-standard installation.



- ✓ OE-equivalent
- ✓ Brembo quality
- ✓ ECE-R90 certificate
- ✓ Safety
- ✓ Performance
- ✓ Comfort

### Technical specifications

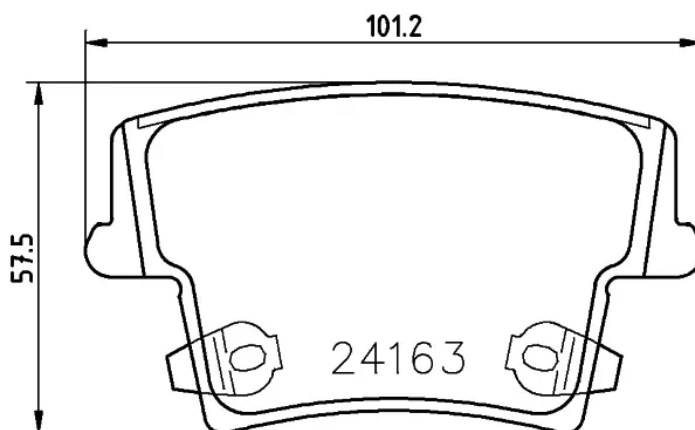
EAN code            Thickness  
**8020584060148**    **18 mm**

Width                Height  
**101 mm**            **58 mm**

Wear indicator      WVA number  
**Acoustic**            **24163**

Braking system  
**Bosch**

Accessories  
**With anti-squeal shim**



## COMPATIBLE OE PART NUMBERS

K05142558AB

LANCIA