



BRAKE DISC MAX

09.5285.75

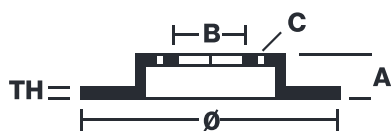
The 09.5285.75 Max brake disc is synonymous with reliability

The Brembo Max brake disc features grooves on the braking surface. The special shape of the grooves generates greater fading resistance and constant renewal of friction material, quickly restoring optimum braking conditions. The UV paint completes the sporty look.

- ✓ Brembo quality
- ✓ ECE-R90 certificate
- ✓ Performance
- ✓ Sports driving
- ✓ Sporty look
- ✓ Anti-corrosion
- ✓ Fastening screws



Technical specifications



EAN code
8020584012208

Axle
Front

Diameter \varnothing
240 mm

Thickness (TH)
21 mm

Height (A)
45 mm

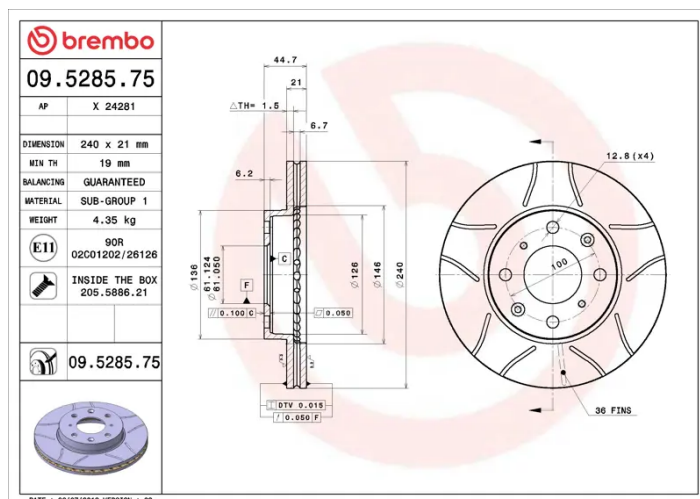
Number of holes (C)
4

Brake disc type
Ventilated

Centering (B)
61 mm

Min. thickness
19 mm

Tightening torque
108 Nm



COMPATIBLE VEHICLES

COMPATIBLE OE PART NUMBERS

45251SH0A00 HONDA

45251SH1A00 HONDA

45251SH3A00 HONDA

45251SH3A10 HONDA

45251SR3A00 HONDA

45251SR3A01 HONDA

45251SR3A10 HONDA

45251SR3A10A HONDA

45251TG1T00 HONDA
