



BRAKE DISC PAINTED

09.A148.41

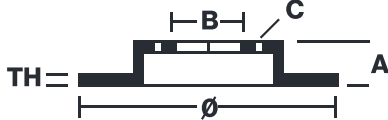
The 09.A148.41 painted brake disc is synonymous with reliability

The Brembo brake disc with special UV paint treatment guarantees superior corrosion resistance for the product, thanks to the protective coating on the outer edges and on the disc hub. The UV paint not only gives the disc a clean, shiny appearance but is also beneficial for the environment as the water-based UV paint treatment does not require the use of chemical solvents and is a low energy consumption process.



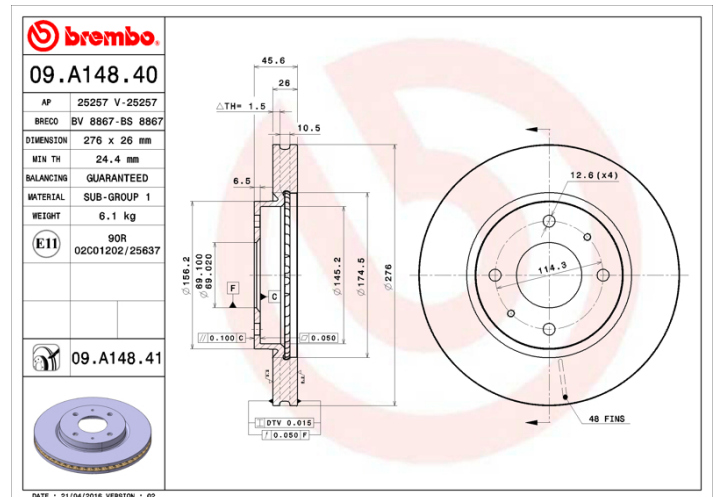
- ✓ OE-equivalent
- ✓ Brembo quality
- ✓ ECE-R90 certificate
- ✓ Safety
- ✓ Anti-corrosion

Technical specifications



EAN code	Axle	Diameter Ø
8020584216422	Front	276 mm
Thickness (TH)	Height (A)	Number of holes (C)
26 mm	46 mm	4
Brake disc type	Centering (B)	Min. thickness
Ventilated	69 mm	24,4 mm

Tightening torque
108 Nm



COMPATIBLE OE PART NUMBERS

MR510741 MITSUBISHI

MR510742 MITSUBISHI

MR527825 MITSUBISHI
