



DRUM

14.9384.10

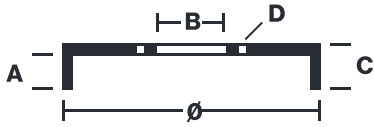
The 14.9384.10 drum is synonymous with reliability

Brembo has developed several design solutions for drum brakes which combine multiple materials to reduce the overall weight. The most popular range of lamellar graphite cast iron drums is supplemented by cast iron drums with a steel sprocket flange and aluminium drums, whereby only the inner part of the drum on which the shoes operate are made of lamellar cast iron, namely the brake band. Additionally drums with built-in bearing kit and hub are added to this range.



- ✓ OE-equivalent
- ✓ Brembo quality
- ✓ Safety
- ✓ Durability

Technical specifications



EAN code
8020584938416

Axle
Rear

Diameter
200 mm

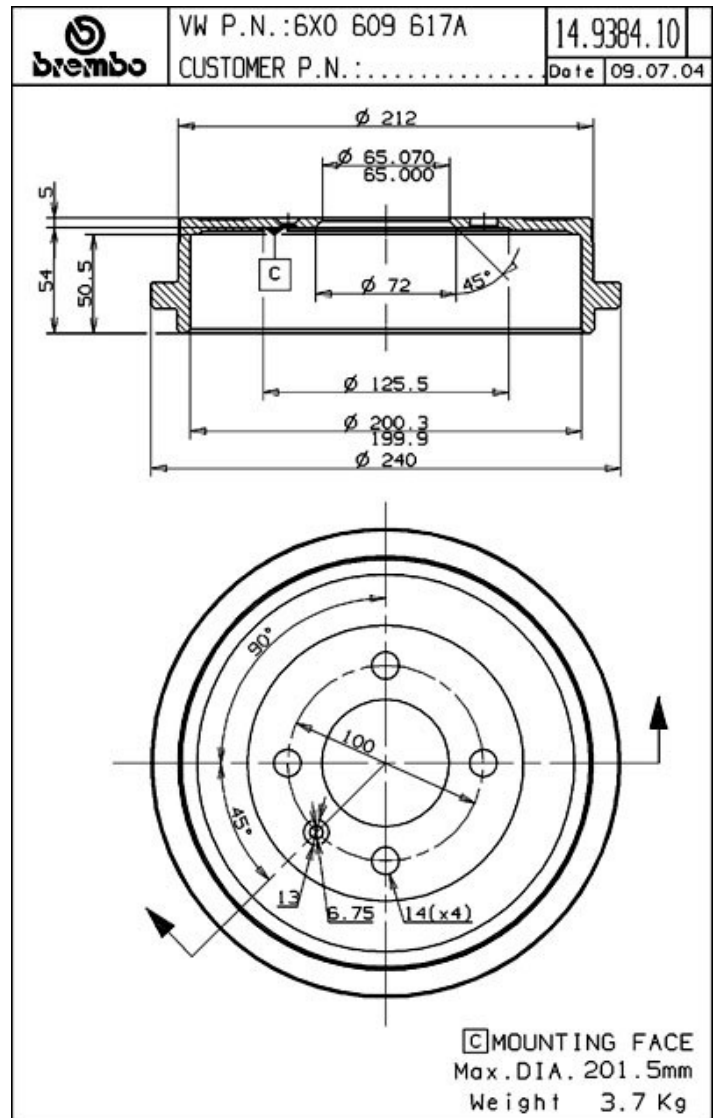
Width
50,5 mm

Height
59

Number of holes
4

Centering
65 mm

Max diameter
201,5 mm



COMPATIBLE VEHICLES

COMPATIBLE OE PART NUMBERS

150609617	SEAT
6X0609617A	SEAT
6X0609617A	VW