



DRUM

14.D633.10

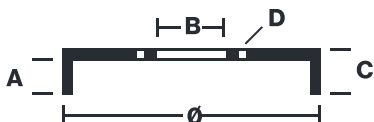
The 14.D633.10 drum is synonymous with reliability

Brembo has developed several design solutions for drum brakes which combine multiple materials to reduce the overall weight. The most popular range of lamellar graphite cast iron drums is supplemented by cast iron drums with a steel sprocket flange and aluminium drums, whereby only the inner part of the drum on which the shoes operate are made of lamellar cast iron, namely the brake band. Additionally drums with built-in bearing kit and hub are added to this range.



- ✓ OE-equivalent
- ✓ Brembo quality
- ✓ Safety
- ✓ Durability

Technical specifications



EAN code
8020584234389

Axle
Rear

Diameter
295 mm

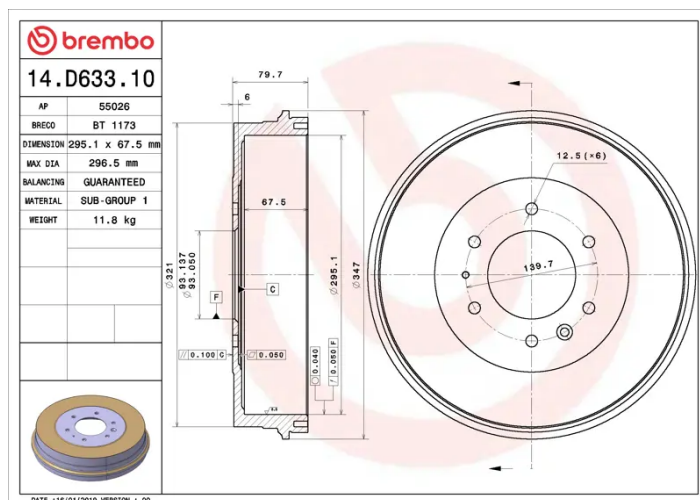
Width
67,5 mm

Height
79,7

Number of holes
6

Centering
93 mm

Max diameter
296,5 mm



COMPATIBLE VEHICLES

COMPATIBLE OE PART NUMBERS

3865373	FORD USA
---------	----------

XM341126BA	FORD USA
------------	----------

UH7426251A	MAZDA
------------	-------

UH7426251C	MAZDA
------------	-------
