



BRAKE PAD PRIME CERAMIC P24075N

The P24075N NAO brake pad is synonymous with reliability

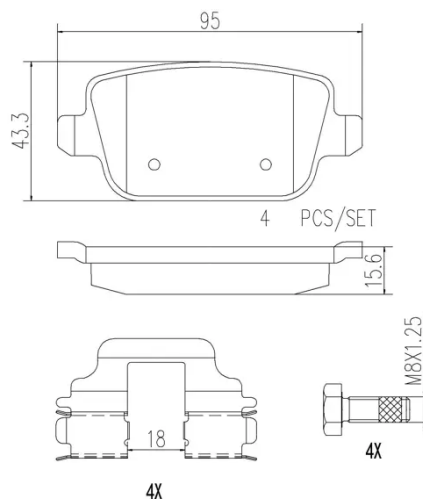
Brembo NAO brake pads stand out for their ultimate braking comfort, reduced friction wear and low dust mission, which makes for cleaner rims and reduced maintenance requirements. The advanced friction material in keeping with the strictest environmental standards is the main distinguishing feature of NAO compounds.

- ✓ OE-equivalent
- ✓ Brembo quality
- ✓ Safety
- ✓ Comfort
- ✓ Durability
- ✓ Dust reduction
- ✓ With accessories



Technical specifications

EAN code 8020584086391	Axle Rear	Thickness 16 mm
Width 95 mm	Height 43 mm	Braking system TRW
Wear indicator Without	WVA number 24537	Accessories With accessories With anti-squeal shim With brake caliper bolts



COMPATIBLE VEHICLES

COMPATIBLE OE PART NUMBERS

1438867 FORD

1439867 FORD

1459408 FORD

1477803 FORD

15662234 FORD

1566234 FORD

1682005 FORD

1699667 FORD

1756395 FORD

1917249 FORD

1917250 FORD

6G9012M008GD FORD

6G912M008GA FORD

6G912M008GB FORD

6G912M008GC FORD

6G912M008GD FORD

6G912M008GF FORD

6G912MM08GA FORD

6G912MM08GB FORD

6G912MM08GC FORD

71BG8200AA FORD

ME6G9J2M008GA FORD

ME6G9J2M008GB FORD

ME6G9J2M008GC FORD

MEMG9J2M008A2A FORD

1445214 FORD (CHANGAN)

1585939 FORD (CHANGAN)

1699667 FORD (CHANGAN)

7G9N2M008AA FORD (CHANGAN)

7G9N2M008AB FORD (CHANGAN)

7G9N2M008AC FORD (CHANGAN)