

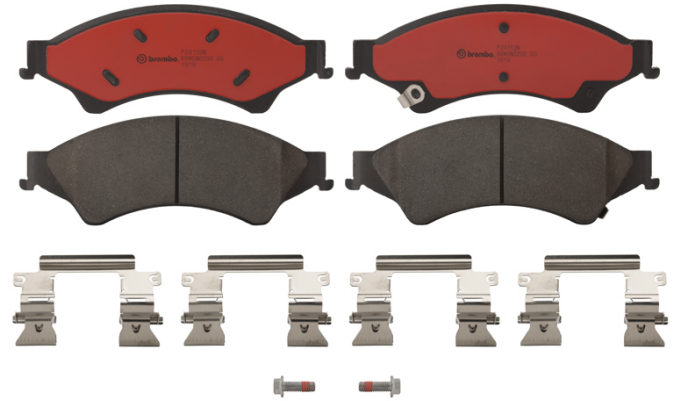


BRAKE PAD NAO P24153N

The P24153N NAO brake pad is synonymous with reliability

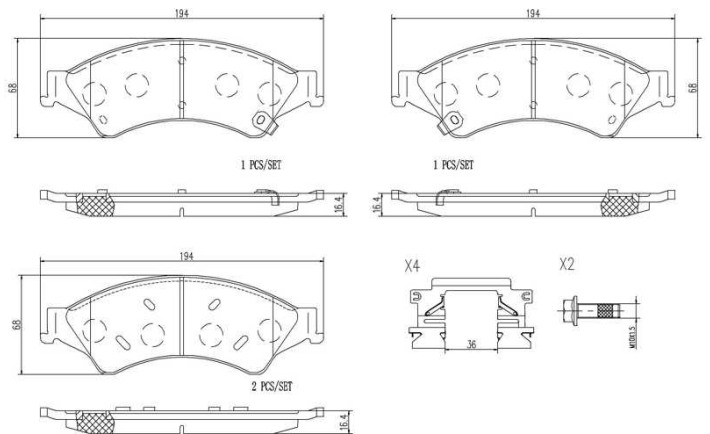
Brembo NAO brake pads stand out for their ultimate braking comfort, reduced friction wear and low dust mission, which makes for cleaner rims and reduced maintenance requirements. The advanced friction material in keeping with the strictest environmental standards is the main distinguishing feature of NAO compounds.

- ✓ OE-equivalent
- ✓ Brembo quality
- ✓ Safety
- ✓ Comfort
- ✓ Durability
- ✓ Dust reduction
- ✓ With accessories



Technical specifications

EAN code 8020584088524	Axle Front	Thickness 16 mm
Width 194 mm	Height 68 mm	Braking system Wagner
Wear indicator Acoustic	WVA number 25632,25633,25634	Accessories With accessories With brake caliper bolts With anti-squeal shim



COMPATIBLE VEHICLES

COMPATIBLE OE PART NUMBERS

1723410	FORD
1723538	FORD
2138027	FORD
2566170	FORD
AB312001AB	FORD
AB312L361AB	FORD
AB3Z2V001A	FORD
MEAB3J2L361AB	FORD
UCYR3323ZA	FORD
AB3Z2V001A	FORD AUSTRALIA
UCYR3323ZA	FORD AUSTRALIA
2566170	FORD USA
AB3Z2001B	FORD USA
MB3C2001AA	FORD USA
UCYE3323Z	MAZDA
2HJ698137	VW
2HJ698137B	VW