

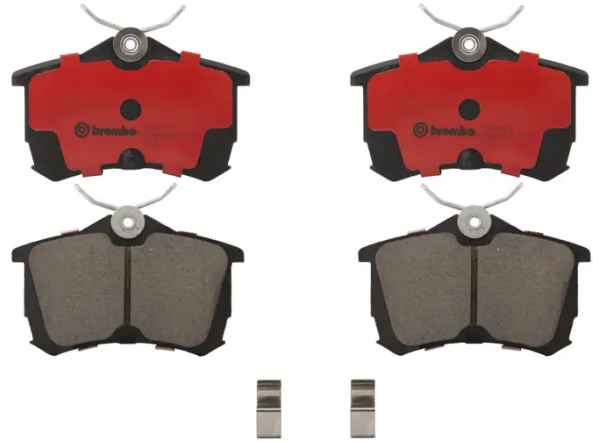


# BRAKE PAD PRIME CERAMIC P28030N

**The P28030N NAO brake pad is synonymous with reliability**

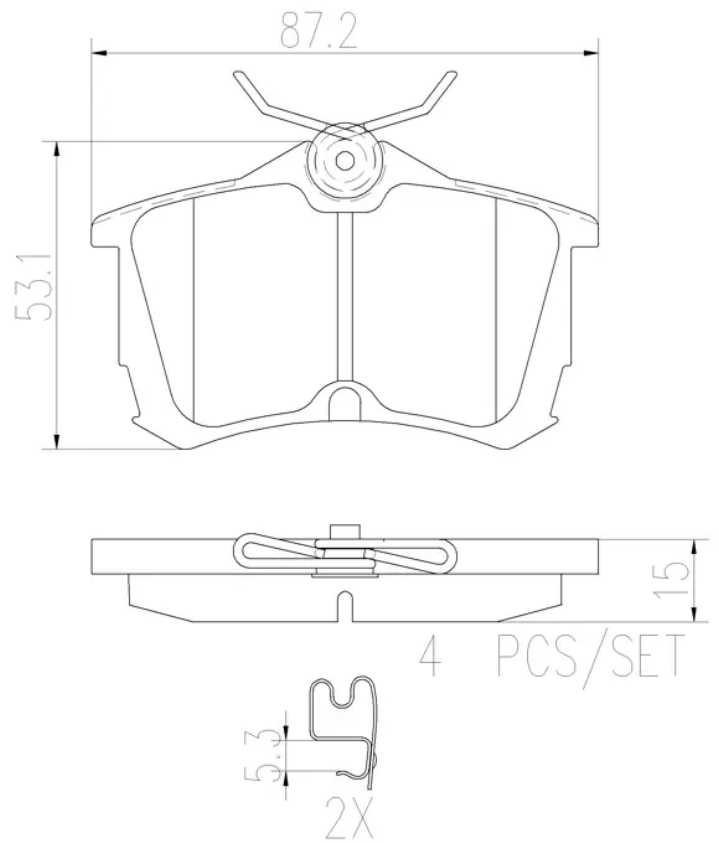
Brembo NAO brake pads stand out for their ultimate braking comfort, reduced friction wear and low dust mission, which makes for cleaner rims and reduced maintenance requirements. The advanced friction material in keeping with the strictest environmental standards is the main distinguishing feature of NAO compounds.

- ✓ OE-equivalent
- ✓ Brembo quality
- ✓ Safety
- ✓ Comfort
- ✓ Durability
- ✓ Dust reduction
- ✓ With accessories



## Technical specifications

EAN code <b>8020584086674</b>	Axle <b>Rear</b>	Thickness <b>15 mm</b>
Width <b>87 mm</b>	Height <b>53 mm</b>	Braking system <b>Lucas</b>
Wear indicator <b>Acoustic</b>	WVA number <b>23527</b>	Accessories <b>With anti-squeal shim</b>



## COMPATIBLE OE PART NUMBERS

43022S1AE02	HONDA
43022S1AE03	HONDA
43022S1AE30	HONDA
43022S1AE50	HONDA
43022SEAE01	HONDA
43022SEAE10	HONDA