



# BRAKE PAD PRIME CERAMIC P28043N

The P28043N NAO brake pad is synonymous with reliability

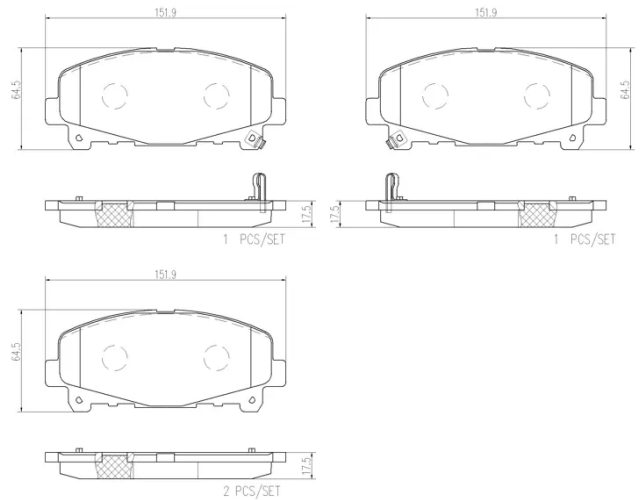
Brembo NAO brake pads stand out for their ultimate braking comfort, reduced friction wear and low dust mission, which makes for cleaner rims and reduced maintenance requirements. The advanced friction material in keeping with the strictest environmental standards is the main distinguishing feature of NAO compounds.

- ✓ OE-equivalent
- ✓ Brembo quality
- ✓ Safety
- ✓ Comfort
- ✓ Durability
- ✓ Dust reduction
- ✓ With accessories



## Technical specifications

EAN code <b>8020584085509</b>	Axle <b>Front</b>	Thickness <b>18 mm</b>
Width <b>152 mm</b>	Height <b>65 mm</b>	Braking system <b>Akebono</b>
Wear indicator <b>Acoustic</b>	WVA number <b>24786,24766,24785</b>	Accessories <b>With anti-squeal shim</b>



COMPATIBLE VEHICLES

## COMPATIBLE OE PART NUMBERS

45022TL0G50	HONDA
-------------	-------

---

45022TL0G51	HONDA
-------------	-------

---

45022TL3Q50	HONDA
-------------	-------

---

45022TL3Q51	HONDA
-------------	-------

---