



# BRAKE PAD PRIME CERAMIC P30073N

The P30073N NAO brake pad is synonymous with reliability

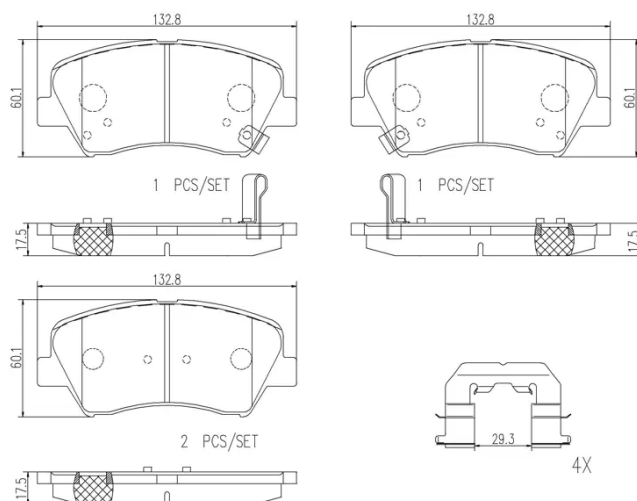
Brembo NAO brake pads stand out for their ultimate braking comfort, reduced friction wear and low dust mission, which makes for cleaner rims and reduced maintenance requirements. The advanced friction material in keeping with the strictest environmental standards is the main distinguishing feature of NAO compounds.

- ✓ OE-equivalent
- ✓ Brembo quality
- ✓ Safety
- ✓ Comfort
- ✓ Durability
- ✓ Dust reduction
- ✓ With accessories



## Technical specifications

EAN code <b>8020584081310</b>	Axle <b>Front</b>	Thickness <b>18 mm</b>
Width <b>133 mm</b>	Height <b>60 mm</b>	Braking system <b>Bosch</b>
Wear indicator <b>Acoustic</b>	WVA number <b>25708,25709,25010</b>	Accessories <b>With anti-squeal shim</b>



COMPATIBLE VEHICLES

## COMPATIBLE OE PART NUMBERS

581011SA30	HYUNDAI
------------	---------

581012VA00	HYUNDAI
------------	---------

581012VA10	HYUNDAI
------------	---------

581012VA50	HYUNDAI
------------	---------

581012VA60	HYUNDAI
------------	---------

581013VA10	HYUNDAI
------------	---------

581013XA00	HYUNDAI
------------	---------

581013XA10	HYUNDAI
------------	---------

581013XA20	HYUNDAI
------------	---------

581013XA20DS	HYUNDAI
--------------	---------

581014VA00	HYUNDAI
------------	---------

58101A5A00	HYUNDAI
------------	---------

58101A6A02	HYUNDAI
------------	---------

58101J6A10	HYUNDAI
------------	---------

58101F9A00	HYUNDAI (BEIJING)
------------	-------------------

58101H7A00	HYUNDAI (BEIJING)
------------	-------------------

581013XA00	KIA
------------	-----

581013XA20	KIA
------------	-----

58101A6A00	KIA
------------	-----

58101A6A01	KIA
------------	-----

58101A7A00	KIA
------------	-----

58101J6A10	KIA
------------	-----

S58101A6A02	KIA
-------------	-----

S58101A6A03	KIA
-------------	-----