



# BRAKE PAD PRIME CERAMIC P30105N

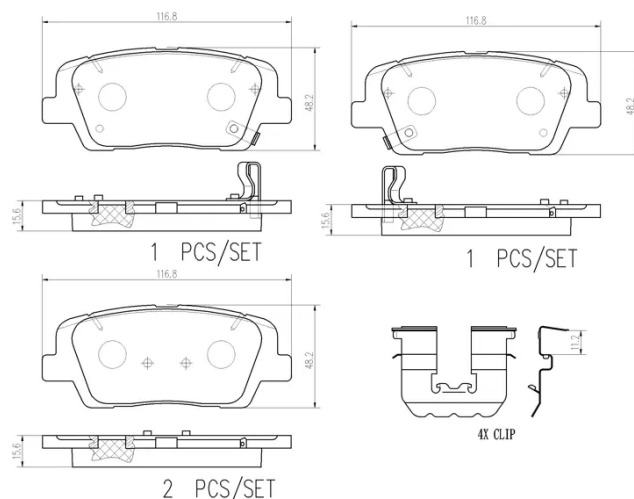
The P30105N NAO brake pad is synonymous with reliability

Brembo NAO brake pads stand out for their ultimate braking comfort, reduced friction wear and low dust mission, which makes for cleaner rims and reduced maintenance requirements. The advanced friction material in keeping with the strictest environmental standards is the main distinguishing feature of NAO compounds.

- ✓ OE-equivalent
- ✓ Brembo quality
- ✓ Safety
- ✓ Comfort
- ✓ Durability
- ✓ Dust reduction
- ✓ With accessories

## Technical specifications

EAN code <b>8020584118658</b>	Axle <b>Rear</b>	Thickness <b>16 mm</b>
Width <b>117 mm</b>	Height <b>48 mm</b>	Braking system <b>Mando</b>
Wear indicator <b>Acoustic</b>	WVA number <b>22195,22196,22197</b>	Accessories <b>With accessories With anti-squeal shim</b>



COMPATIBLE VEHICLES

## COMPATIBLE OE PART NUMBERS

583022WA90	HYUNDAI
583024ZA70	HYUNDAI
58302C6A00	KIA