

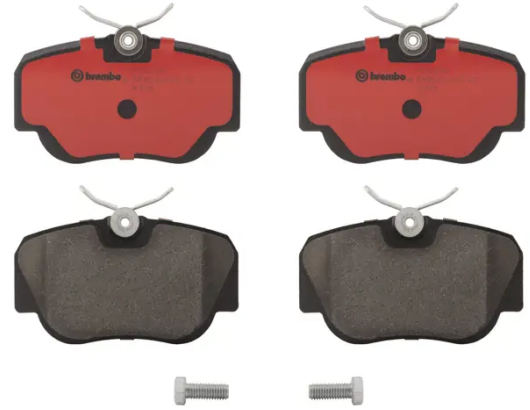


BRAKE PAD PRIME CERAMIC P50011N

The P50011N NAO brake pad is synonymous with reliability

Brembo NAO brake pads stand out for their ultimate braking comfort, reduced friction wear and low dust mission, which makes for cleaner rims and reduced maintenance requirements. The advanced friction material in keeping with the strictest environmental standards is the main distinguishing feature of NAO compounds.

- ✓ OE-equivalent
- ✓ Brembo quality
- ✓ Safety
- ✓ Comfort
- ✓ Durability
- ✓ Dust reduction
- ✓ With accessories



Technical specifications

EAN code
8020584088784

Axle
Front

Thickness
18 mm

Width
95 mm

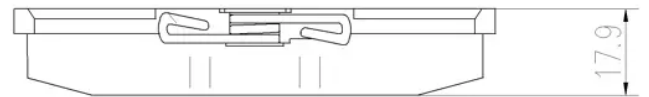
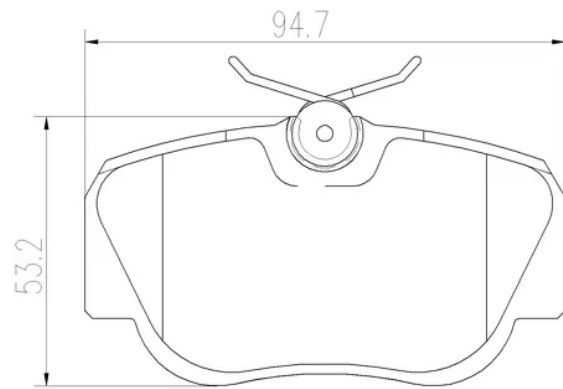
Height
53 mm

Braking system
Lucas

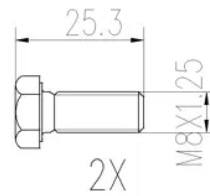
Wear indicator
Without

WVA number
21055

Accessories
With anti-squeal shim
With accessories
With brake caliper bolts



4 PCS/SET



COMPATIBLE VEHICLES

COMPATIBLE OE PART NUMBERS

0004208920	MERCEDES-BENZ
0004209120	MERCEDES-BENZ
0014201020	MERCEDES-BENZ
0014208120	MERCEDES-BENZ
0014209620	MERCEDES-BENZ
0024200220	MERCEDES-BENZ
A0004208920	MERCEDES-BENZ
A0004209120	MERCEDES-BENZ
A0014201020	MERCEDES-BENZ
A0014208120	MERCEDES-BENZ
A0014209620	MERCEDES-BENZ
A0024200220	MERCEDES-BENZ