



# BRAKE PAD PRIME CERAMIC P50100N

The P50100N NAO brake pad is synonymous with reliability

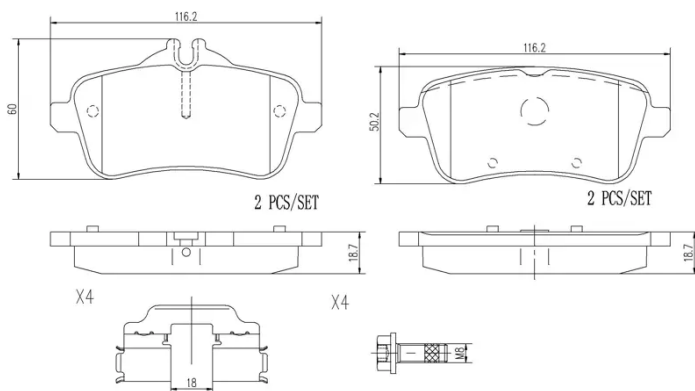
Brembo NAO brake pads stand out for their ultimate braking comfort, reduced friction wear and low dust mission, which makes for cleaner rims and reduced maintenance requirements. The advanced friction material in keeping with the strictest environmental standards is the main distinguishing feature of NAO compounds.

- ✓ OE-equivalent
- ✓ Brembo quality
- ✓ Safety
- ✓ Comfort
- ✓ Durability
- ✓ Dust reduction
- ✓ With accessories



## Technical specifications

EAN code <b>8020584089002</b>	Axle <b>Rear</b>	Thickness <b>19 mm</b>
Width <b>116 mm</b>	Height <b>50 mm</b>	Braking system <b>TRW</b>
Wear indicator <b>Prepared for wear indicator</b>	WVA number <b>25216,25215</b>	Accessories <b>With accessories</b> <b>With anti-squeal shim</b> <b>With brake caliper bolts</b>



COMPATIBLE VEHICLES

## COMPATIBLE OE PART NUMBERS

0004208104	MERCEDES-BENZ
------------	---------------

0064204020	MERCEDES-BENZ
------------	---------------

0064204120	MERCEDES-BENZ
------------	---------------

0074208220	MERCEDES-BENZ
------------	---------------

0074208320	MERCEDES-BENZ
------------	---------------

A0004208104	MERCEDES-BENZ
-------------	---------------

A0064204020	MERCEDES-BENZ
-------------	---------------

A0064204120	MERCEDES-BENZ
-------------	---------------

A0074208220	MERCEDES-BENZ
-------------	---------------

A0074208320	MERCEDES-BENZ
-------------	---------------

8660004594	RENAULT
------------	---------