



BRAKE PAD PRIME CERAMIC P54059N

The P54059N NAO brake pad is synonymous with reliability



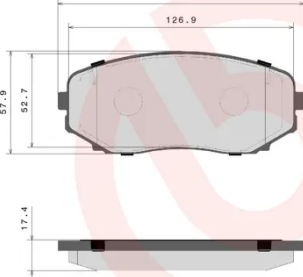


Brembo NAO brake pads stand out for their ultimate braking comfort, reduced friction wear and low dust mission, which makes for cleaner rims and reduced maintenance requirements. The advanced friction material in keeping with the strictest environmental standards is the main distinguishing feature of NAO compounds.

- ✓ OE-equivalent
- ✓ Brembo quality
- ✓ Safety
- ✓ Comfort
- ✓ Durability
- ✓ Dust reduction
- ✓ With accessories



Technical specifications

EAN code 8020584113301	Axle Front	Thickness 17 mm
Width 139 mm	Height 58 mm	Braking system Advics
Wear indicator Acoustic	WVA number 23515	Accessories With anti-squeal shim

	P54059N		407.E672.309.N
		<small>ACOUSTIC WEAR INDICATOR 07.E654.019 - x2</small>  <small>SPRING 07.E657.035 - x4</small> 	
<small>WVA: 23515 QTY: x4</small>			
<small>DATE : 10/01/2024 VERSION : 00</small>			

COMPATIBLE VEHICLES

COMPATIBLE OE PART NUMBERS

7T432001AA FORD

7T4Z2001A FORD

7T4Z2V001AA FORD

7U2J2C452AA FORD

8T432200BA FORD

BT432001AB FORD

BT4Z2001A FORD

BT4Z2001B FORD

BT432001AA FORD USA

BT4Z2001A FORD USA

BR1258B LINCOLN

BRF901 LINCOLN

BT4Z2001A LINCOLN

4605C248 MAZDA

EHY23328Z MAZDA

EHY43328Z MAZDA

EHY53328ZA MAZDA

EHY53328ZB MAZDA

L26Y3328ZA MAZDA

L2Y63323Z MAZDA

L2Y63328Z MAZDA

L2Y63328ZA MAZDA

TAY03328Z MAZDA

TKY83328Z MAZDA

TKY83328ZA MAZDA

TKY83328ZB MAZDA

4605B541 MITSUBISHI

L2Y63328Z MITSUBISHI

L2Y63328ZB MITSUBISHI

L2Y63329Z MITSUBISHI