



BRAKE PAD PRIME CERAMIC P59036N

The P59036N NAO brake pad is synonymous with reliability

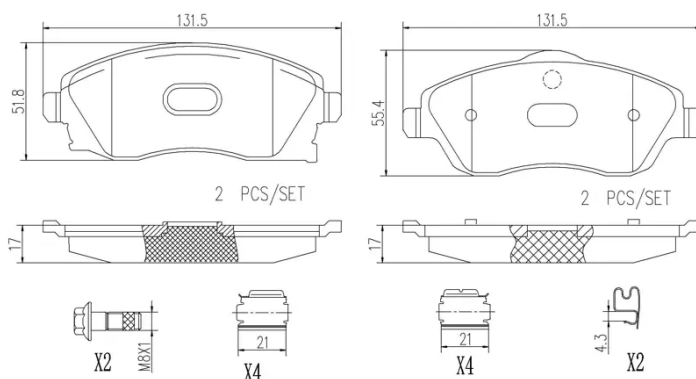
Brembo NAO brake pads stand out for their ultimate braking comfort, reduced friction wear and low dust mission, which makes for cleaner rims and reduced maintenance requirements. The advanced friction material in keeping with the strictest environmental standards is the main distinguishing feature of NAO compounds.

- ✓ OE-equivalent
- ✓ Brembo quality
- ✓ Safety
- ✓ Comfort
- ✓ Durability
- ✓ Dust reduction
- ✓ With accessories



Technical specifications

| | | |
|-----------------------------------|----------------------------------|---|
| EAN code 8020584099179 | Axle Front | Thickness 17 mm |
| Width 132 mm | Height 53 mm | Braking system Lucas |
| Wear indicator Acoustic | WVA number 23226,23225 | Accessories With anti-squeal shim With brake caliper bolts With accessories |



COMPATIBLE VEHICLES

COMPATIBLE OE PART NUMBERS

| | |
|----------|----------------|
| 52133755 | CHEVROLET |
| 93370275 | GENERAL MOTORS |
| 09200108 | OPEL |
| 1605081 | OPEL |
| 1605092 | OPEL |
| 1605316 | OPEL |
| 1605964 | OPEL |
| 1605974 | OPEL |
| 9200108 | OPEL |
| 93172261 | OPEL |
| 93176114 | OPEL |
| 93184269 | OPEL |
| 95519746 | OPEL |
| 9200108 | VAUXHALL |