



BRAKE PAD PRIME CERAMIC P59038N

The P59038N NAO brake pad is synonymous with reliability

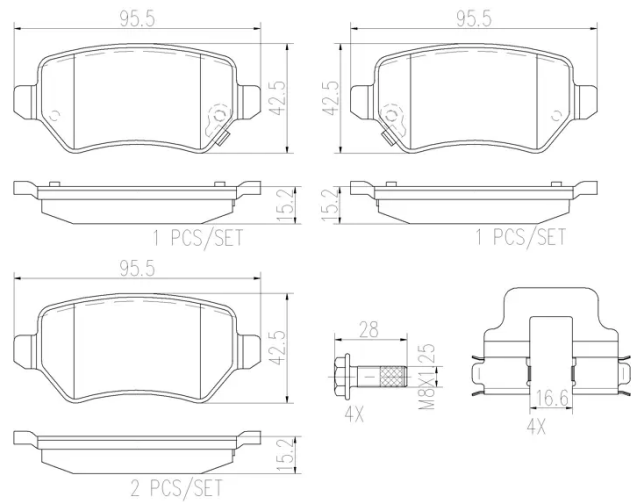
Brembo NAO brake pads stand out for their ultimate braking comfort, reduced friction wear and low dust mission, which makes for cleaner rims and reduced maintenance requirements. The advanced friction material in keeping with the strictest environmental standards is the main distinguishing feature of NAO compounds.

- ✓ OE-equivalent
- ✓ Brembo quality
- ✓ Safety
- ✓ Comfort
- ✓ Durability
- ✓ Dust reduction
- ✓ With accessories



Technical specifications

| | | |
|-----------------------------------|--|---|
| EAN code 8020584099186 | Axle Rear | Thickness 15 mm |
| Width 96 mm | Height 43 mm | Braking system Lucas |
| Wear indicator Acoustic | WVA number 23654,23417,23655 | Accessories With anti-squeal shim With brake caliper bolts With accessories |



COMPATIBLE VEHICLES

COMPATIBLE OE PART NUMBERS

93169143 GENERAL MOTORS

93170602 GENERAL MOTORS

93176118 GENERAL MOTORS

93179164 GENERAL MOTORS

583021PA30 KIA

58302A2A20 KIA

1605086 OPEL

1605122 OPEL

1605128 OPEL

1605233 OPEL

1605625 OPEL

1605967 OPEL

1605995 OPEL

93169164 OPEL

93188727 OPEL

93190577 OPEL

95507655 OPEL

93193613 SATURN

1605233 VAUXHALL

93190577 VAUXHALL
