



# BRAKE PAD PRIME CERAMIC P59079N

The P59079N NAO brake pad is synonymous with reliability

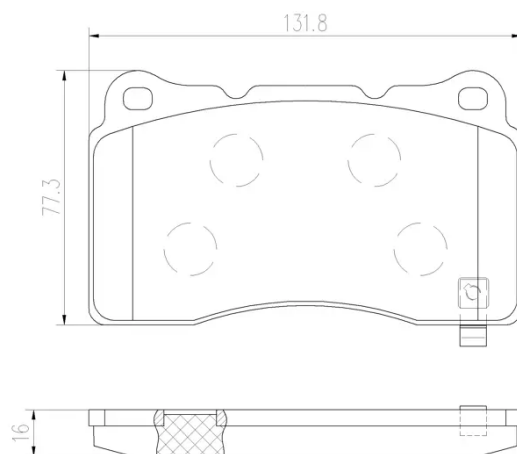
Brembo NAO brake pads stand out for their ultimate braking comfort, reduced friction wear and low dust mission, which makes for cleaner rims and reduced maintenance requirements. The advanced friction material in keeping with the strictest environmental standards is the main distinguishing feature of NAO compounds.

- ✓ OE-equivalent
- ✓ Brembo quality
- ✓ Safety
- ✓ Comfort
- ✓ Durability
- ✓ Dust reduction
- ✓ With accessories



## Technical specifications

EAN code <b>8020584085769</b>	Axle <b>Front and rear</b>	Thickness <b>16 mm</b>
Width <b>132 mm</b>	Height <b>77 mm</b>	Braking system <b>Brembo</b>
Wear indicator <b>Acoustic</b>	WVA number <b>23325</b>	Accessories <b>With anti-squeal shim</b>



4 PCS/SET

COMPATIBLE VEHICLES

## COMPATIBLE OE PART NUMBERS

84233021 BUICK (SGM)

---

93737098 BUICK (SGM)

---

22791925 CADILLAC

---

22866931 CADILLAC

---

23145627 CADILLAC

---

23271117 CADILLAC

---

84051821 CADILLAC (SGM)

---

84060417 CADILLAC (SGM)

---

84308335 CADILLAC (SGM)

---

4G7Z2001AA FORD

---

581012MA10 HYUNDAI

---

581012MA10 MITSUBISHI

---

13329562 OPEL

---

13411116 OPEL

---

1605100 OPEL

---

1605175 OPEL

---

105506600C TESLA

---

105506600D TESLA

---

106833000A TESLA

---

106833000B TESLA

---

106833000C TESLA

---

6002453 TESLA

---