



BRAKE PAD PRIME CERAMIC P68041N

The P68041N NAO brake pad is synonymous with reliability

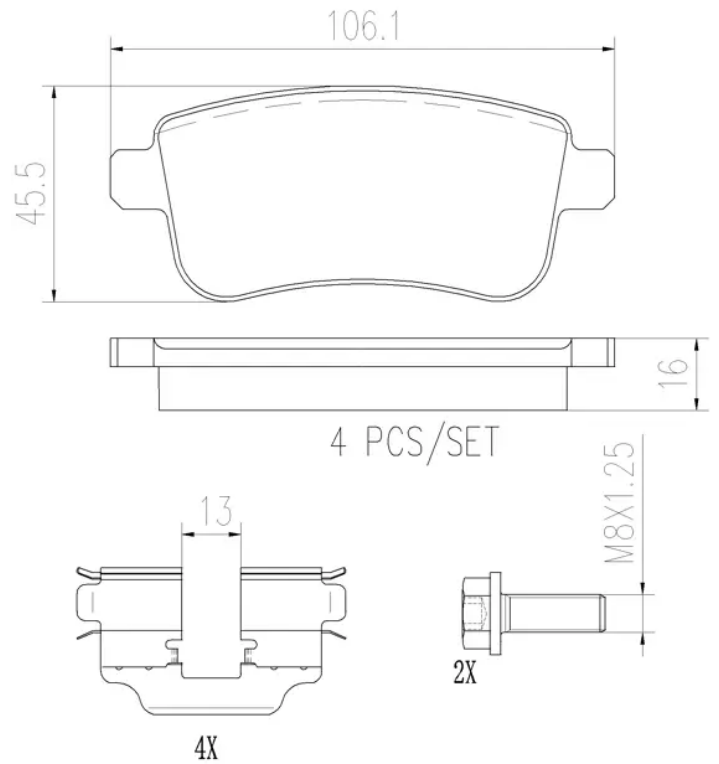
Brembo NAO brake pads stand out for their ultimate braking comfort, reduced friction wear and low dust mission, which makes for cleaner rims and reduced maintenance requirements. The advanced friction material in keeping with the strictest environmental standards is the main distinguishing feature of NAO compounds.

- ✓ OE-equivalent
- ✓ Brembo quality
- ✓ Safety
- ✓ Comfort
- ✓ Durability
- ✓ Dust reduction
- ✓ With accessories



Technical specifications

EAN code	Axle	Thickness
8020584089699	Rear	16 mm
Width	Height	Braking system
106 mm	46 mm	Bosch
Wear indicator	WVA number	Accessories
Without	24820	With accessories With anti-squeal shim With brake caliper bolts



COMPATIBLE VEHICLES

COMPATIBLE OE PART NUMBERS

440601416R	RENAULT
440603558R	RENAULT
440603734R	RENAULT
440604694R	RENAULT
8660000779	RENAULT
8660004436	RENAULT