



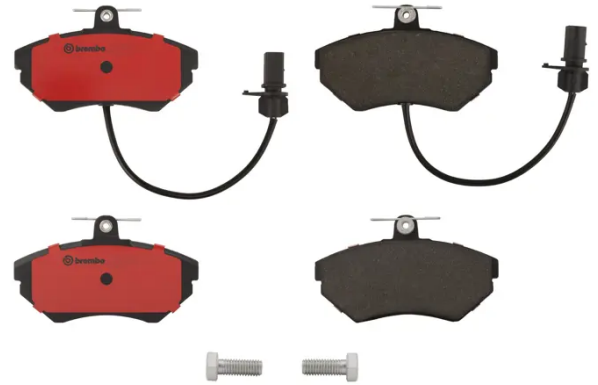
BRAKE PAD PRIME CERAMIC

P85044N

The P85044N NAO brake pad is synonymous with reliability

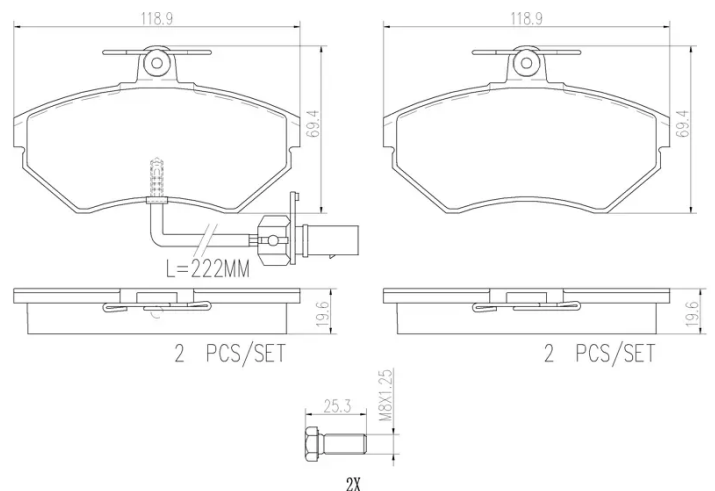
Brembo NAO brake pads stand out for their ultimate braking comfort, reduced friction wear and low dust mission, which makes for cleaner rims and reduced maintenance requirements. The advanced friction material in keeping with the strictest environmental standards is the main distinguishing feature of NAO compounds.

- ✓ OE-equivalent
- ✓ Brembo quality
- ✓ Safety
- ✓ Comfort
- ✓ Durability
- ✓ Dust reduction
- ✓ With accessories



Technical specifications

EAN code 8020584089941	Axle Front	Thickness 20 mm
Width 119 mm	Height 69 mm	Braking system Lucas
Wear indicator Electric	WVA number 21945,23393	Accessories With accessories With brake caliper bolts With anti-squeal shim



COMPATIBLE VEHICLES

COMPATIBLE OE PART NUMBERS

8E0615115B	AUDI
------------	------

8E0698151B	AUDI
------------	------

8E0698151M	AUDI
------------	------

JZW698151G	AUDI
------------	------

573006S	KARRY
---------	-------

8E0615115B	SEAT
------------	------

8E0698151B	SEAT
------------	------

8E0698151M	SEAT
------------	------

JZW698151G	SEAT
------------	------

8E0615115B	SKODA
------------	-------

8E0698151B	SKODA
------------	-------

8E0698151M	SKODA
------------	-------

JZW698151G	SKODA
------------	-------

8E0615115B	VW
------------	----

8E0698151B	VW
------------	----

8E0698151M	VW
------------	----

JZW698151G	VW
------------	----