



# BRAKE PAD PRIME CERAMIC PA6023N

**The PA6023N NAO brake pad is synonymous with reliability**

Brembo NAO brake pads stand out for their ultimate braking comfort, reduced friction wear and low dust mission, which makes for cleaner rims and reduced maintenance requirements. The advanced friction material in keeping with the strictest environmental standards is the main distinguishing feature of NAO compounds.

- ✓ OE-equivalent
- ✓ Brembo quality
- ✓ Safety
- ✓ Comfort
- ✓ Durability
- ✓ Dust reduction
- ✓ With accessories



## Technical specifications

EAN code  
**8020584068243**

Axle  
**Rear**

Thickness  
**20 mm**

Width  
**110 mm**

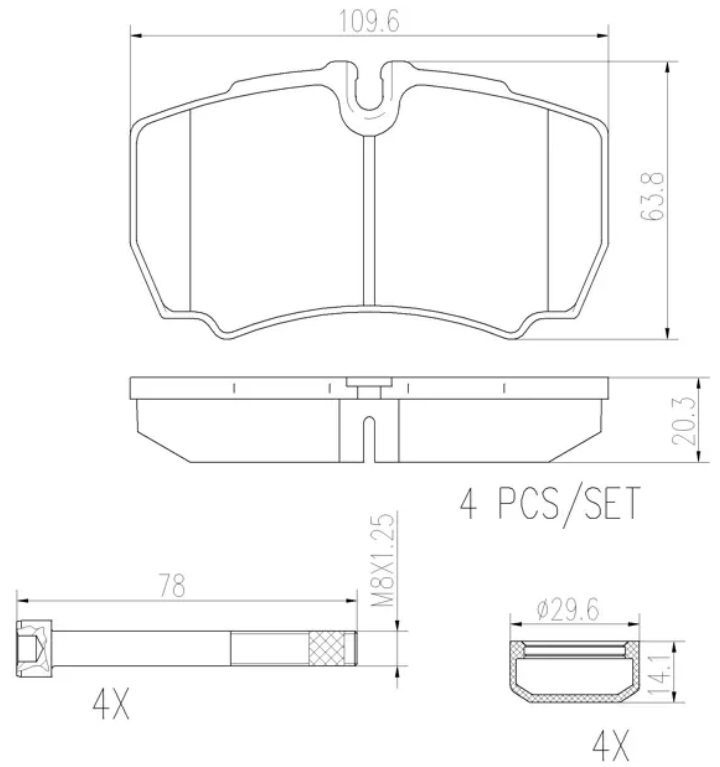
Height  
**64 mm**

Braking system  
**Brembo**

Wear indicator  
**Prepared for wear indicator**

WVA number  
**29123**

Accessories  
**With accessories  
With anti-squeal shim  
With brake caliper bolts**



COMPATIBLE VEHICLES

## COMPATIBLE OE PART NUMBERS

2991667	IVECO
42470841	IVECO
42555406	IVECO
42560080	IVECO
42561101	IVECO
42561102	IVECO
42567447	IVECO
42576447	IVECO
42576680	IVECO
42576681	IVECO
500055657	IVECO
504226945	IVECO