



# BRAKE PAD

## P 06 054

The P 06 054 brake pad is synonymous with reliability

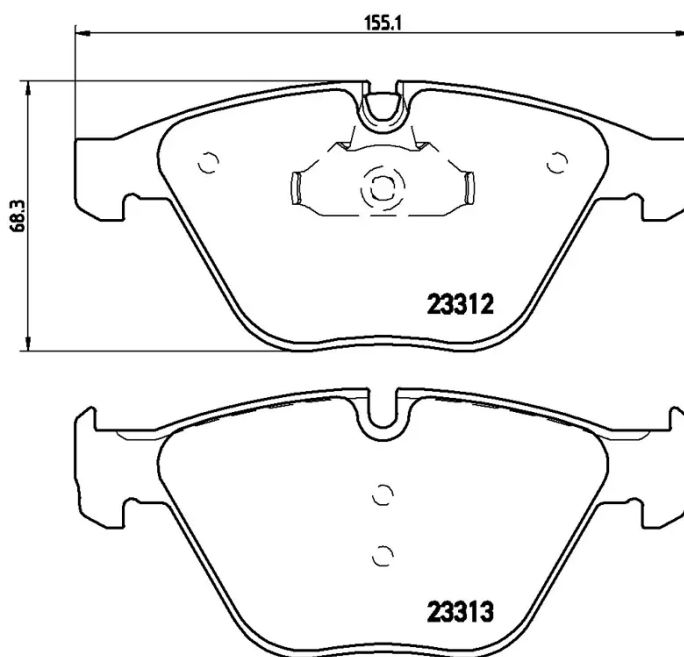
The Brembo brake pad guarantees ultimate safety when braking thanks to the use of more than 100 different compounds, designed according to the type of vehicle and use. Stopping distances reduced to a minimum, maximum driving comfort and silent operation are the most important features of Brembo materials. Brembo brake pads are supplied together with an extensive range of accessories and assembly kits for professional-standard installation.

- ✓ OE-equivalent
- ✓ Brembo quality
- ✓ ECE-R90 certificate
- ✓ Safety
- ✓ Performance
- ✓ Comfort
- ✓ With accessories



### Technical specifications

EAN code <b>8020584090183</b>	Axle <b>Front</b>	Thickness <b>20 mm</b>
Width <b>155 mm</b>	Height <b>68 mm</b>	Braking system <b>Teves</b>
Wear indicator <b>Prepared for wear indicator</b>	WVA number <b>23312,23313</b>	Accessories <b>With accessories With anti-squeal shim With piston clip</b>



## COMPATIBLE OE PART NUMBERS

34112339269 BMW

---

34112339270 BMW

---

34112339271 BMW

---

34112339273 BMW

---

34116761283 BMW

---

34116761284 BMW

---

34116763089 BMW

---

34116763591 BMW

---

34116764540 BMW

---

34116767191 BMW

---

34116767580 BMW

---

34116781873 BMW

---

34116784129 BMW

---

34116791916 BMW

---

34116794913 BMW

---

34116794915 BMW

---

34116794916 BMW

---

34116794918 BMW

---

34116794919 BMW

---