



BRAKE PAD

P 23 135

The P 23 135 brake pad is synonymous with reliability

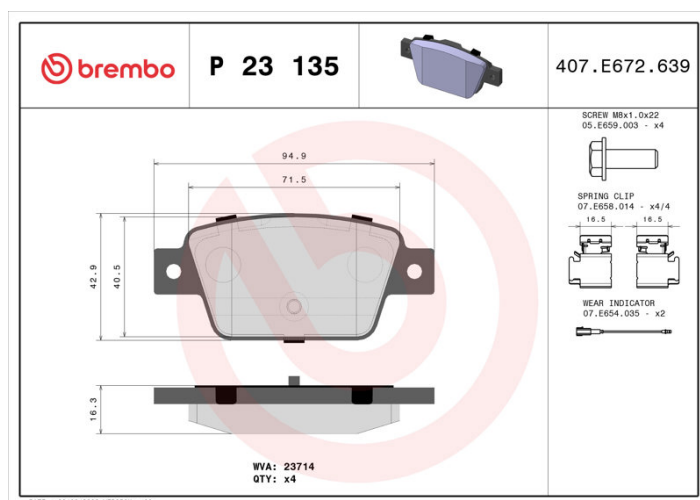
The Brembo brake pad guarantees ultimate safety when braking thanks to the use of more than 100 different compounds, designed according to the type of vehicle and use. Stopping distances reduced to a minimum, maximum driving comfort and silent operation are the most important features of Brembo materials. Brembo brake pads are supplied together with an extensive range of accessories and assembly kits for professional-standard installation.

- ✓ OE-equivalent
- ✓ Brembo quality
- ✓ ECE-R90 certificate
- ✓ Safety
- ✓ Performance
- ✓ Comfort



Technical specifications

EAN code 8020584102961	Axle Rear	Thickness 17 mm
Width 95 mm	Height 43 mm	Braking system Bosch
Wear indicator Electric	WVA number 25527,25526,23714	Accessories With brake caliper bolts



COMPATIBLE VEHICLES

COMPATIBLE OE PART NUMBERS

77363518 FIAT

77365809 FIAT

71770114 LANCIA

77365809 LANCIA
