



# BRAKE PAD

## P 24 037

The P 24 037 brake pad is synonymous with reliability

The Brembo brake pad guarantees ultimate safety when braking thanks to the use of more than 100 different compounds, designed according to the type of vehicle and use. Stopping distances reduced to a minimum, maximum driving comfort and silent operation are the most important features of Brembo materials. Brembo brake pads are supplied together with an extensive range of accessories and assembly kits for professional-standard installation.

- ✓ OE-equivalent
- ✓ Brembo quality
- ✓ ECE-R90 certificate
- ✓ Safety
- ✓ Performance
- ✓ Comfort
- ✓ With accessories

### Technical specifications

EAN code  
8020584052099

Axle  
Front

Thickness  
19 mm

Width  
155 mm

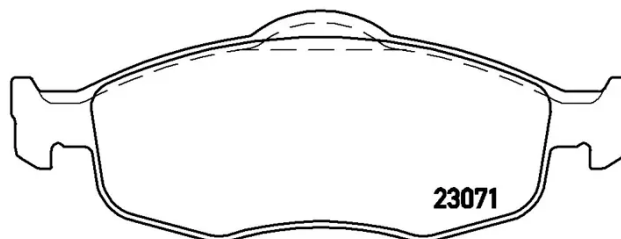
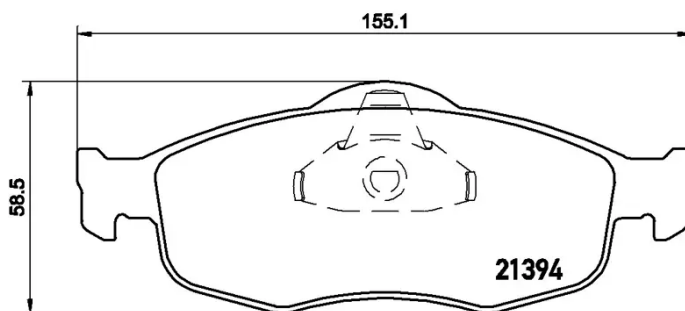
Height  
59 mm

Braking system  
Teves

Wear indicator  
Without

WVA number  
21394,23071

Accessories  
With piston clip  
With accessories  
With anti-squeal shim



COMPATIBLE VEHICLES

## COMPATIBLE OE PART NUMBERS

1073731	FORD
---------	------

1079347	FORD
---------	------

1095201	FORD
---------	------

1096942	FORD
---------	------

1130759	FORD
---------	------

1521326	FORD
---------	------

1652285	FORD
---------	------

5029147	FORD
---------	------

6877836	FORD
---------	------

6882584	FORD
---------	------

93BB2K021EB	FORD
-------------	------

93BX2K021AA	FORD
-------------	------

93GB2K021CB	FORD
-------------	------

97BG2K021BA	FORD
-------------	------

97BG2K021BB	FORD
-------------	------

97BX2K021BA	FORD
-------------	------

97BX2K021BB	FORD
-------------	------

97BX2K021BC	FORD
-------------	------

F5RZ2001A	FORD
-----------	------

F5RZ2001C	FORD
-----------	------

ME97BX2K021BD	FORD
---------------	------

R86GB8005EB	FORD
-------------	------

F5RZ2001C	FORD USA
-----------	----------

XS8Z2001BA	FORD USA
------------	----------

XS8Z2001CA	FORD USA
------------	----------

2U2Z2V001JA	MERCURY
-------------	---------

XS8Z2001BA	MERCURY
------------	---------

XS8Z2001CA	MERCURY
------------	---------