



BRAKE PAD

P 61 133G

The P 61 133G brake pad is synonymous with reliability

The Brembo brake pad guarantees ultimate safety when braking thanks to the use of more than 100 different compounds, designed according to the type of vehicle and use. Stopping distances reduced to a minimum, maximum driving comfort and silent operation are the most important features of Brembo materials. Brembo brake pads are supplied together with an extensive range of accessories and assembly kits for professional-standard installation.

- ✓ OE-equivalent
- ✓ Brembo quality
- ✓ ECE-R90 certificate
- ✓ Safety
- ✓ Performance
- ✓ Comfort
- ✓ With accessories

Technical specifications

EAN code
8020584125380

Axle
Rear

Thickness
17 mm

Width
114 mm

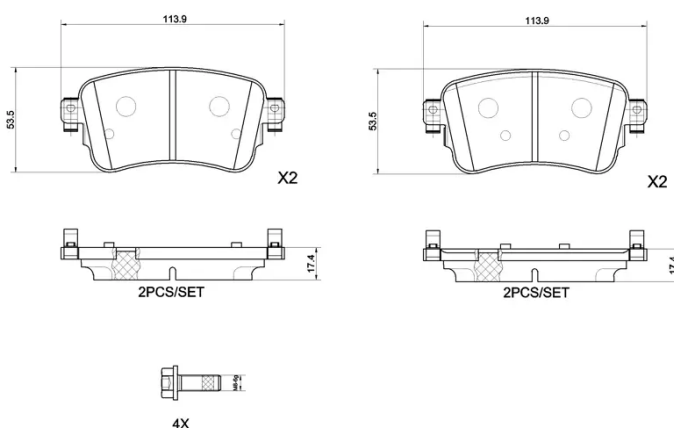
Height
54 mm

Braking system
TRW

Wear indicator
Without

WVA number
22588,22589

Accessories
With accessories
With anti-squeal shim
With brake caliper bolts



COMPATIBLE VEHICLES

COMPATIBLE OE PART NUMBERS

1617936880 CITROËN

1673603880 CITROËN

1675991880 CITROËN

155253721 FIAT

155253722 FIAT

1673603880 OPEL

1617936880 PEUGEOT

1675991880 PEUGEOT

SU001A6136 TOYOTA

SU001B3807 TOYOTA

1673603880 VAUXHALL
