



SHOE

S 50 502

The S 50 502 brake shoe is synonymous with reliability

Brembo brake shoes of original equipment quality guarantee the safe and reliable performance of your drum braking system. All Brembo brake shoes are accompanied by a ECE-R90 homologation certificate.

- ✓ OE-equivalent
- ✓ Brembo quality
- ✓ ECE-R90 certificate
- ✓ Safety
- ✓ Durability
- ✓ With accessories



Technical specifications

EAN code
8432509642115

Rear

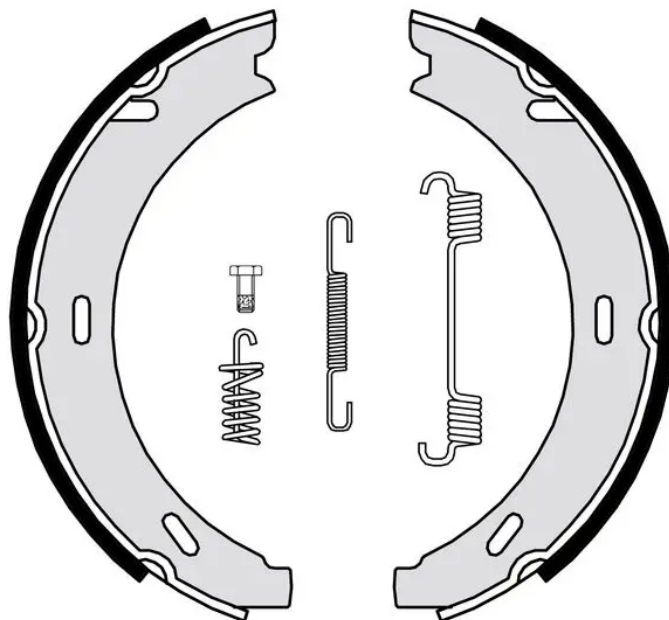
Diameter
164 mm

Width
20 mm

Braking system
TRW

Parking brake lever
With accessories

Type
Parking brake



COMPATIBLE VEHICLES

COMPATIBLE OE PART NUMBERS

05096552AA CHRYSLER

05143676AA CHRYSLER

5096552AA CHRYSLER

5143676AA CHRYSLER

K05096552AA CHRYSLER

K05143676AA CHRYSLER

1244200320 MERCEDES-BENZ

1244200520 MERCEDES-BENZ

1244200720 MERCEDES-BENZ

1244200820 MERCEDES-BENZ

2014200820 MERCEDES-BENZ

2014200920 MERCEDES-BENZ

2034200120 MERCEDES-BENZ

2104200820 MERCEDES-BENZ

4144200320 MERCEDES-BENZ

A2034200120 MERCEDES-BENZ

A4144200320 MERCEDES-BENZ
