



BRAKE DISC MAX

08.9502.75

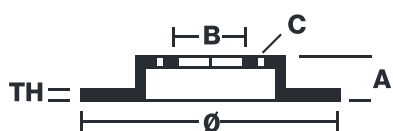
The 08.9502.75 Max brake disc is synonymous with reliability

The Brembo Max brake disc features grooves on the braking surface. The special shape of the grooves generates greater fading resistance and constant renewal of friction material, quickly restoring optimum braking conditions. The UV paint completes the sporty look.

- ✓ Brembo quality
- ✓ ECE-R90 certificate
- ✓ Performance
- ✓ Sports driving
- ✓ Sporty look
- ✓ Anti-corrosion
- ✓ Fastening screws



Technical specifications



EAN code
8020584236727

Axle
Rear

Diameter Ø
253 mm

Thickness (TH)
10 mm

Height (A)
51 mm

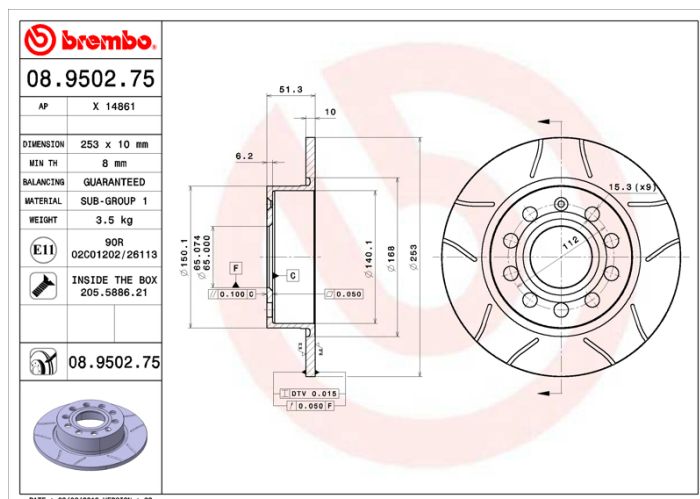
Number of holes (C)
9

Brake disc type
Solid

Centering (B)
65 mm

Min. thickness
8 mm

Tightening torque
120 Nm



COMPATIBLE VEHICLES

COMPATIBLE OE PART NUMBERS

1K0615601AB	AUDI
-------------	------

1K0615601K	AUDI
------------	------

5Q0615601F	AUDI
------------	------

1K0615601AB	SEAT
-------------	------

1K0615601K	SEAT
------------	------

5Q0615601F	SEAT
------------	------

1K0615601AB	SKODA
-------------	-------

1K0615601K	SKODA
------------	-------

5Q0615601F	SKODA
------------	-------

5QD615601	SKODA (SVW)
-----------	-------------

1K0615601AB	VW
-------------	----

1K0615601K	VW
------------	----

5C0615601	VW
-----------	----

5C0615601A	VW
------------	----

5Q0615601F	VW
------------	----

5QD615601	VW (SVW)
-----------	----------